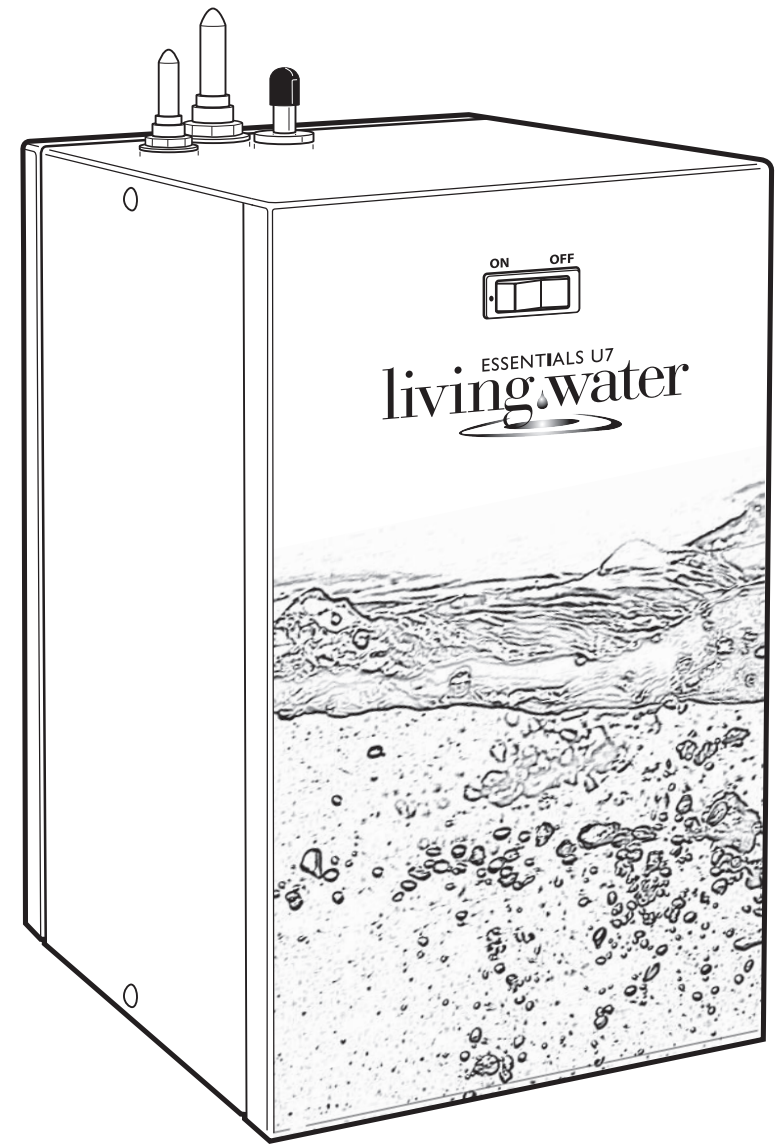


ESSENTIALS U7 living water®



OWNER'S MANUAL • U7 MODEL WATER IONIZER

DBG Group Investments, LLC
300 East Valley Drive
Bristol, VA 24201
(800)989-2299

ECOQUEST
THE HEALTHY LIVING COMPANY

ECOQUEST
THE HEALTHY LIVING COMPANY

PLEASE READ THIS MANUAL PRIOR TO INSTALLATION AND OPERATION

Important Safety Information

To reduce the risk of fire, electrical shock, or injury:

- Use only as described in this manual. Use only manufacturer's recommended attachments.
- Do not handle plug or appliance with wet hands.
- Unplug cord from outlet before servicing or changing filters.
- Do not use with damaged cord or plug.
- Do not unplug by pulling on cord. To unplug, grasp the plug, not the cord.
- Do not operate if connections leak or leakage appears when water source is turned on.
- Do not attempt to remove the back cover or attempt to access the inner workings of the ionizer. There are no self-serviceable components, aside from filter replacement, which is accessed by a removable cover panel.
- Keep unit away from extreme environmental conditions.
- Maintain a clean and dry area around the ionizer. Never allow the unit to sit in standing water.
- Your new water ionizer is intended as a point-of-use appliance only. Serious damage may result from misuse of your unit.
- Do not use with micro-biologically unsafe water.
- This unit must be used in conjunction with the pre-conditioning unit. It is not intended for use with reverse osmosis systems and/or water softening systems.
- DO NOT DRINK THE WATER DURING THE AUTOMATIC CLEANING CYCLE. The cleaning cycle will occur after every 30 liters of water flow. This feature helps keep minerals from building up on the electrode. The citric acid cleaning cartridge is used every 2850 Liters to clean the system.
- No medical claims have been made by the manufacturer or distributor. Always see your physician at the first signs of illness. The manufacturer or distributor is not responsible for adverse effects that may result from the use or misuse of ionized water.

CAUTION: *Damage will occur if unit is exposed to hot water. Be certain that only cold or room temperature water enters the water ionizer. A temperature sensor will protect the unit temporarily, but continued use of hot water will damage the ionizer.*

PLEASE READ THIS MANUAL PRIOR TO INSTALLATION AND OPERATION

IMPORTANT NOTICE: *Failure to install according to the Installation Guide and in accordance with applicable city, state and local plumbing codes can result in leaks and/or water damage and will void your warranty. Consult a professional for installation. We expressly disclaim any liability for damage caused by leaks and/or other water damage.*

Chlorine and pH Test Reagents

- Do not expose the pH or chlorine test reagents to extreme heat or flames. They are combustible. Store in a cool/dry location. Keep the reagents tightly sealed and store out of the reach of children.
- Do not drink the pH or chlorine test reagents or allow them to get into your eyes. Do not apply to the body.
 - If either is ingested, do not induce vomiting and call a physician or poison control immediately.
 - If either gets into your eyes, flush immediately with cool water. Call a physician.
 - If either gets on your body, wash off immediately with cool water. Call a physician.

Disclosures:

- No medical claims are made by the manufacturer or distributor or are they responsible for any adverse effects that may result from the use, or misuse of ionized water.
- Verify with your physician that prescribed medications or existing conditions will not be affected by drinking alkaline water.
- Do not take medications with alkaline water as alkaline ionized water may increase the effectiveness of the medication.
- Do not drink alkaline water if you have achlorhydia.
- Consult your physician before drinking alkaline water if you have:
 - A chronic disease
 - A dysfunctional liver or intestines
 - Are currently under medical treatment
- Consult your physician if you have sensitive skin or allergies before using acidic water on your skin or hair.
- Consumption of alkaline water that is too high (greater than pH 9.5) may cause diarrhea or other symptoms.
- The unit is NOT INTENDED for use on microbiologically unsafe water. If you are unsure of the safety of your water source, have your water tested by a qualified water testing laboratory.
- Failure to comply with installation and operation instructions provided in this user's manual, or modification of any part of the system, may invalidate the warranty. We are not liable for damage to the unit or personal injury as a result of improper installation or operation of the system.

IMPORTANT: DO NOT drink any of the following water types:

- **ANY acidic water**
 - **High pH alkaline water (above 9.5 pH)**
 - **Water produced during the auto flush (electrode cleaning) process.**
 - **When no pH value is displayed on the LED display.**
 - **When the u7 unit has not been used for more than two days, let water run for 30 seconds before consuming.**
-

THANK YOU FOR PURCHASING YOUR LIVING WATER ESSENTIALS U7 WATER IONIZER SYSTEM

You have purchased the finest water ionizer on the market today. With proper care, your Living Water Essentials will provide you and your family with clean, safe and health promoting ionized water for years to come. Please read this owner's manual before installing and using your Living Water Essentials to ensure the system's proper use and long service life. We suggest you keep your owner's manual handy for ready reference as it contains many useful suggestions on how to use the many different types of ionized water your Living Water Essentials water ionizer system will produce.

NOTE: Please begin drinking alkaline water gradually as it is detoxifying. For example, drink 16 oz. of Level 1 water for several days, gradually increasing the amount you consume to your full daily amount of water. Increase one level each week until you are drinking your full daily amount of water on Level 3 (highest pH level).

Following this gradual procedure will minimize unpleasant effects of detoxification, such as cold or flu-like symptoms, headaches, rashes, diarrhea and/or nausea. You may notice differences in bowel habits during the first days at each pH level. Urine frequency may increase and color may darken as more water is consumed and your body detoxifies. Eventually the color decreases as your body adjusts to the cleansing.

If detoxification symptoms become uncomfortable, it is suggested that you decrease to a lower level alkaline water until these symptoms subside and gradually build up again to higher levels.

We recommend drinking a minimum of half your weight in ounces per day for hydration. Remember, this is a minimum. One quart for every 30 pounds of body weight is better, and you can increase further as you are able.

- Water will have the strongest pH and the most ionization if the flow rate is low, approximately 2 liters per minute as displayed on the screen, or so that it takes 20-30 seconds to fill an 8 ounce glass. You will see many tiny bubbles in the water to indicate the ionization.

⚠ WARNING: Use the 'Filtered Water Only' setting to consume medications (neutral pH of 7), as alkaline water will increase the potency of many medications. Check with your health practitioner to make sure prescribed medications for existing conditions will not be adversely affected by drinking alkaline water.

- Never drink the acidic water by-product from your unit.

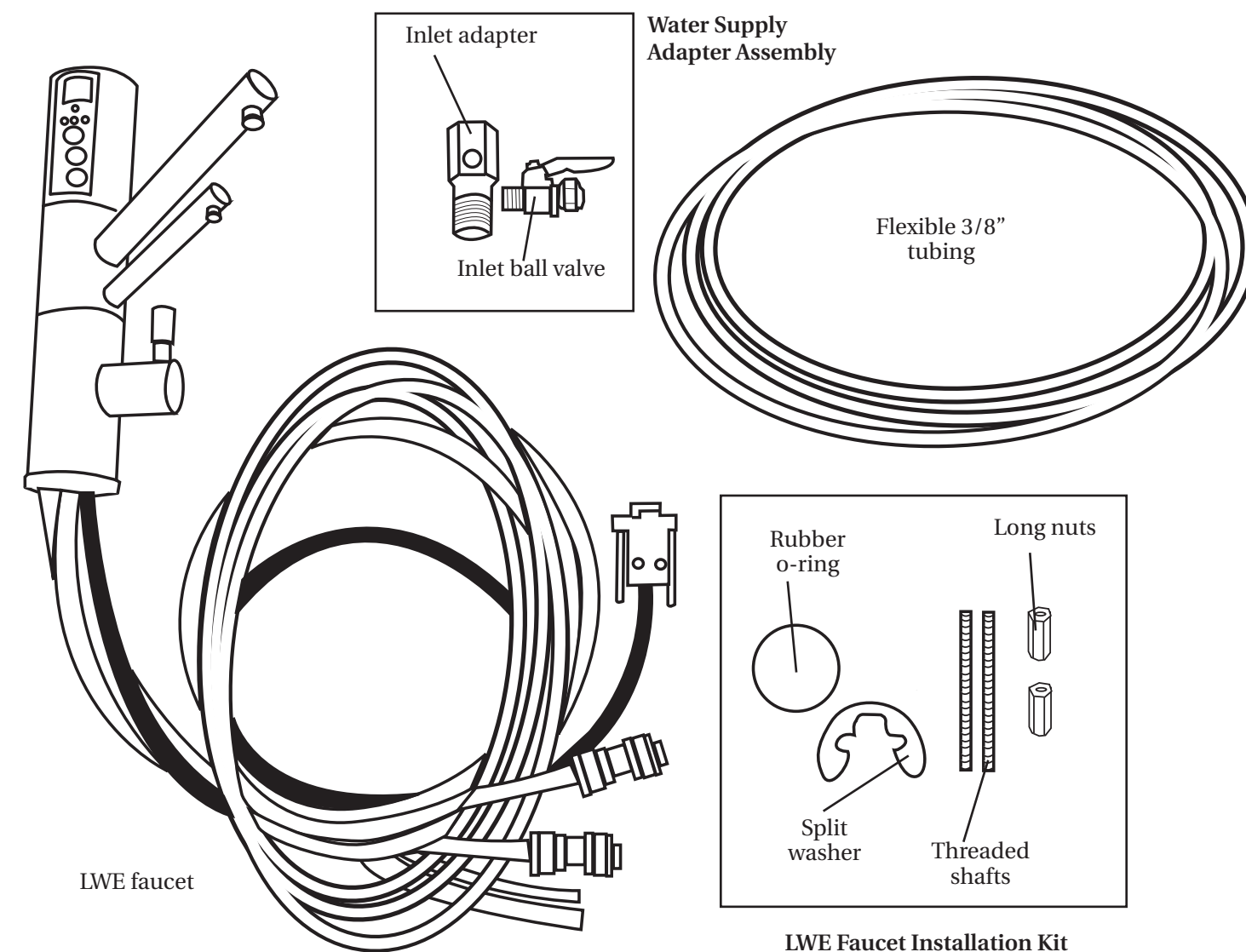
SPECIFICATIONS

Model:	Living Water Essentials Model U7
Voltage:	120 VAC 60 Hz or 220-240 VAC 50 Hz
Power:	1w-380w
Dimensions:	7.25" d x 9.25" w x 14.75" h (184.2 x 275 x 374.7mm)
Alkaline water flow rate:	1 gallon / per min (MAX)
Acidic water flow rate:	0.5 gallon / per min (MAX)
Method:	Inverter & continued electrolysis
Electrolysis chamber:	7 Platinum baked titanium plates
ORP output:	-250 to -700mv
Filter life	3000 gallons (12000L)
Filter chlorine removal:	<0.0001 PPM
Water pressure	7-50 psi

NOTE: pH value setting versus actual water can be ±5%

PACKAGE CONTENTS

All required accessories for a normal installation are included with the purchase of your water ionizer. Other parts which are not included may be required for your specific installation needs. Carefully unpack your water ionizer, making sure all the parts listed on the diagram are enclosed.



Additional Required Component

The Living Water Essentials Water Ionizer System includes a water pre-conditioning assembly that incorporates stage 1 and stage 2 filter/mineralization cartridges. The quality and content of the source water provided to the water ionizer has a direct affect on the quality of the ionized water produced. This is true of ANY water ionizer. Tap water provided by municipal water companies typically has a pH value between 7.1 and 7.3 and a moderate water hardness of between 80 and 140 parts per million. Such water will generally result in the production of high quality ionized water. Water supplied from other sources may vary considerably in quality and content. Low pH water (typical of some well water) may require an additional pre-remineralization cartridge to enhance water ionization. Water with excessive sediment (typical of well water) generally requires a sediment prefilter. Your Dealer can help you decide if additional water conditioning is required.

INSTALLATION

IMPORTANT NOTICE: Installation by a licensed plumber is recommended. Failure to install according to the Installation Guide and in accordance with applicable city, state and local plumbing codes can result in leaks and/or water damage and will void your warranty. We expressly disclaim any liability for damage caused by leaks and/or other water damage.

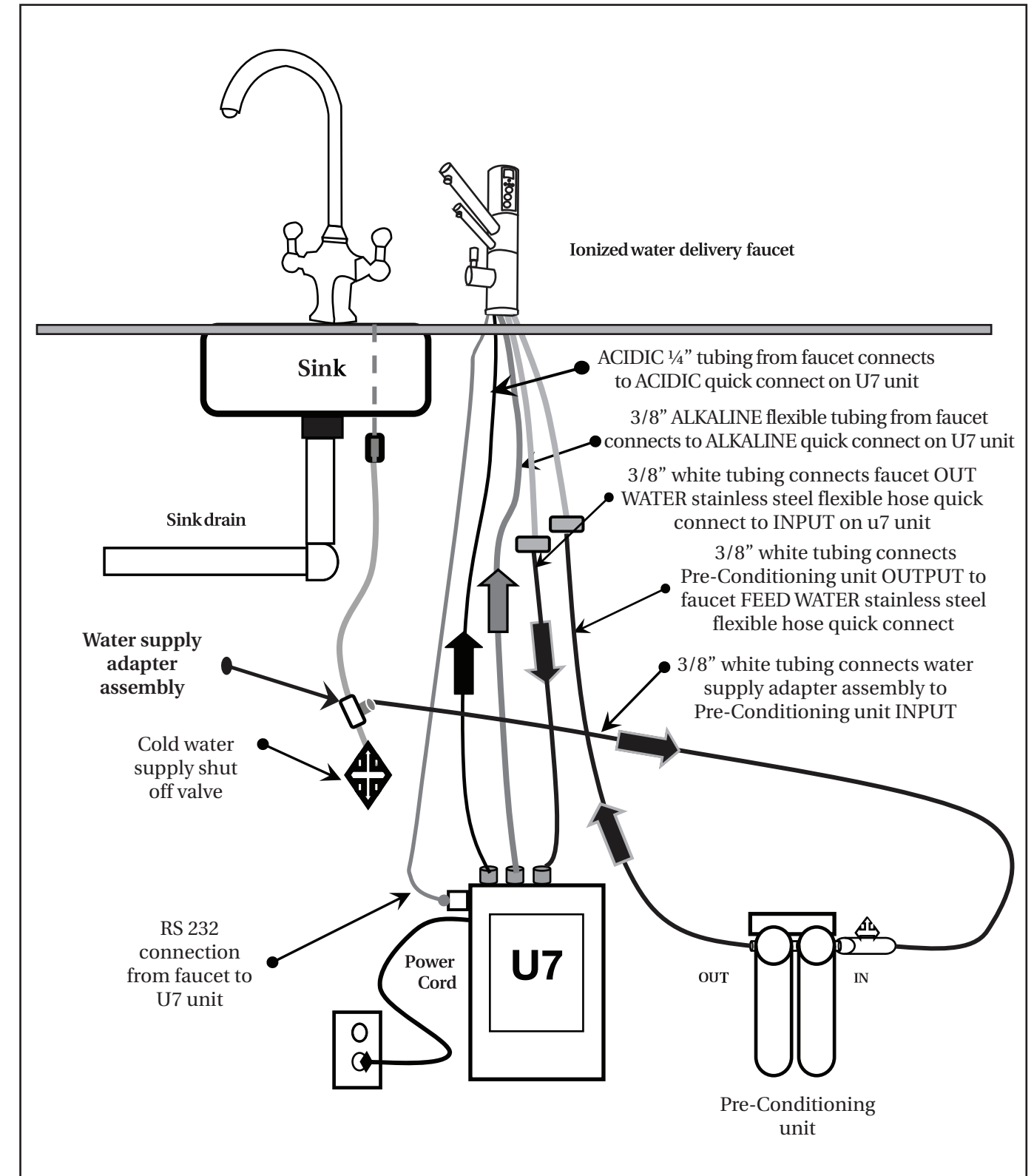
NOTE: The installation information provided may differ for your specific installation. Read the installation section thoroughly before you begin as additional installation parts may be required beyond what are included. If you are unsure what parts are required or how to make the physical connections, it is strongly recommended you contact a licensed plumber.

- The water ionizer MUST be plugged into a grounded (three prong) 120 Volt US/Canada electrical outlet that is installed in accordance with all local codes and ordinances. Check with a qualified electrician if you are not sure whether the electrical outlet you intend to use is properly installed. Do not modify the electrical power cord or plug provided with the water ionizer and do not use a three-prong to two-prong adapter. Improper grounding can result in risk of electric shock as well as damage to the water ionizer.
- Do not plug the water ionizer into an electrical outlet that will result in exceeding the amperage rating of the outlet or electrical wiring. This can result in fire, personal injury or damage to the water ionizer.
- The water ionizer must operate in a dry location to prevent risk of electrical shock and/or damage to the unit.
- The water ionizer must operate on a FLAT/hard/level surface.
- The water ionizer must be used in conjunction with the pre-conditioning unit. The Living Water Essentials pre-conditioning unit incorporates a high quality internal filter that filters input water for purity. If your water source is exceptionally hard or if your water source comes from a private or communal well, it is recommended you install a hard water/well water prefilter in line BEFORE the pre-conditioning unit. Well water may also require a pre-sediment filter. Failure to properly pre-condition the input water could result in damage to the water ionizer. Contact your Dealer or our Customer Support for more information.
- Maximum water pressure is 50 PSI. Operating the water ionizer above this pressure will cause damage to the unit. For psi >50 use of a pressure regulator may be required.
- Connect the water ionizer ONLY to a COLD water supply. NEVER run hot water through the unit. Damage will occur if HOT WATER is supplied to the water ionizer.
- DO NOT DRINK WATER PRODUCED WHEN THE WATER IONIZER IS IN ITS CLEANING CYCLE. The cleaning cycle will automatically activate after every 40 liters of water is produced. This feature helps keep minerals from building up on the electrolysis plates.
- Use the "Filtered Water Only" setting when taking medications. Alkaline water will increase the potency of many medications. Check with your physician to make sure prescribed medications for existing conditions will not be adversely affected by drinking alkaline water on a daily basis.

NOTE: Insert water supply and drain lines into the quick connects until they will not go in any further. Use of the locking clip to prevent the tube from coming loose is a must. Give each line a slight tug at the point of connection to make sure the lines are properly connected and that they do not slip out. This step will ensure proper installation and avoid possible leaks from improperly installed lines.

INSTALLATION

Setup Illustration



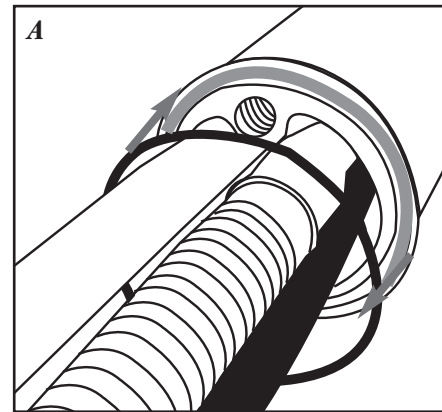
Installing the Living Water Essentials Delivery Faucet

⚠ WARNING: Installation in a granite surface or porcelain sink requires professional installation as specialized tooling is needed.

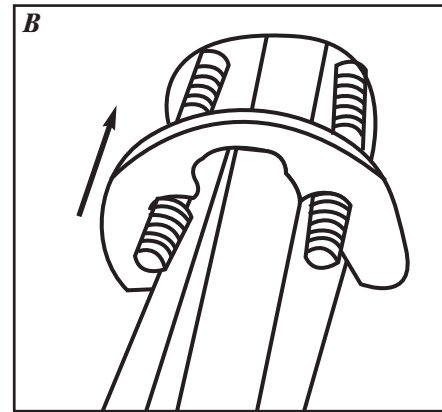
- A 1 3/8 inch hole is required to mount the Living Water Essentials faucet. Determine where you want to locate the Faucet.

NOTE: You will need a 1 3/8 inch hole in the sink lip or countertop in which to mount the Living Water Essentials faucet. If you have a fixture you do not use or can live without (like a soap dispenser) you might consider removing that fixture and using that hole if it is large enough. If this option is not available, you will need to drill a new hole. The material you are cutting through will determine what type of hole saw is required. Check with your local hardware store to find out what type of hole saw you will need.

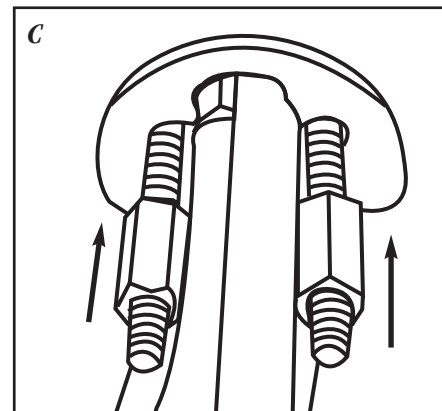
- Drill a 1/8 inch pilot hole in the selected location using a 1/8" drill bit.
- Drill a 1 3/8 inch hole using a 1 3/8 inch hole saw.
- Slide the rubber o-ring over all tubes to set in the groove on the base of the Living Water Essentials faucet. **A**



- Screw threaded shafts into holes on base of faucet. **B**
- Slide the tubes on the base of the faucet through the hole and mount the faucet on the sink or countertop.
- Underneath the sink, slide the split washer around the tubing as shown. **B**



- Thread the long nuts on the shafts and tighten the split washer to the underside of the counter to secure the Living Water Essentials faucet to the countertop. **C**

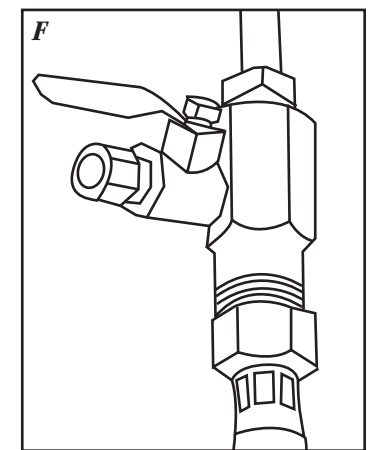
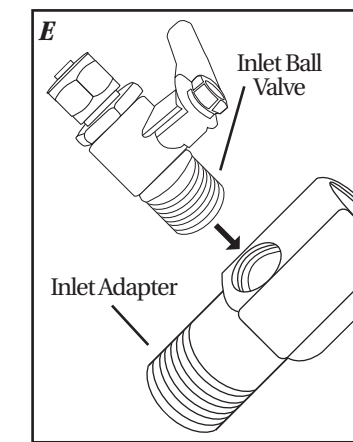
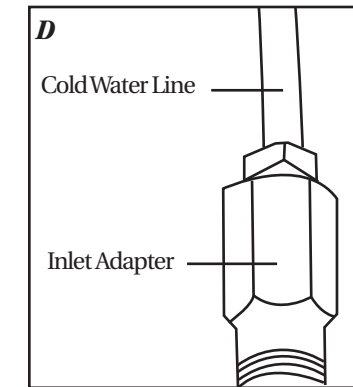


Installing the Water Supply Adapter Assembly

NOTE: Actual installation may vary from picture as connections may differ from illustration. Additional parts may be required for your specific installation need.

NOTE: Be sure to use plumber's tape on the threads to prevent leaks.

- Turn off the water source. If the water shut off is not located under the counter, then the main water valve should be shut off.
- Open the sink faucet (cold side) to release pressure. Disconnect the cold water line from the shut off valve. Install the inlet adapter to the cold water line. **D**
- Connect inlet ball valve to the adapter. **E**
- Connect cold water supply line to inlet adapter. **F**



Installing the Pre-Conditioning Unit

NOTE: You need to remove the lock collar from the quick connect fitting before you can install the tubing. Reattach the lock collar after inserting the tube.

- Locate wall-mount position for easy maintenance of the Pre-Conditioning Unit. Allow at least 2 inches from base of cabinet for ease of maintenance.
- Remove nut from ball valve. Slide nut over 3/8 inch flexible tubing and attach to ball valve. Tighten nut completely.
- Cut tubing to the length required to reach the IN quick connect on the Pre-Conditioning Unit. Remove lock collar from the IN quick connect and insert the tubing; reattach lock collar. Do not kink tubing.
- Using another piece of the 3/8 inch tubing, insert into the OUT quick connect on the Pre-Conditioning Unit. Be sure to remove the lock collar first and reattach once tubing is inserted.
- Connect the opposite end to the FEED WATER quick connect on the faucet.
- Refer to set up illustration (p.7) for connection points.

NOTE: Insert water supply and drain lines into the quick connects until they will not go in any further. Give each line a slight tug at the point of connection to make sure the lines are properly connected and that they do not slip out. This step will ensure proper installation and avoid possible leaks from improperly installed lines.

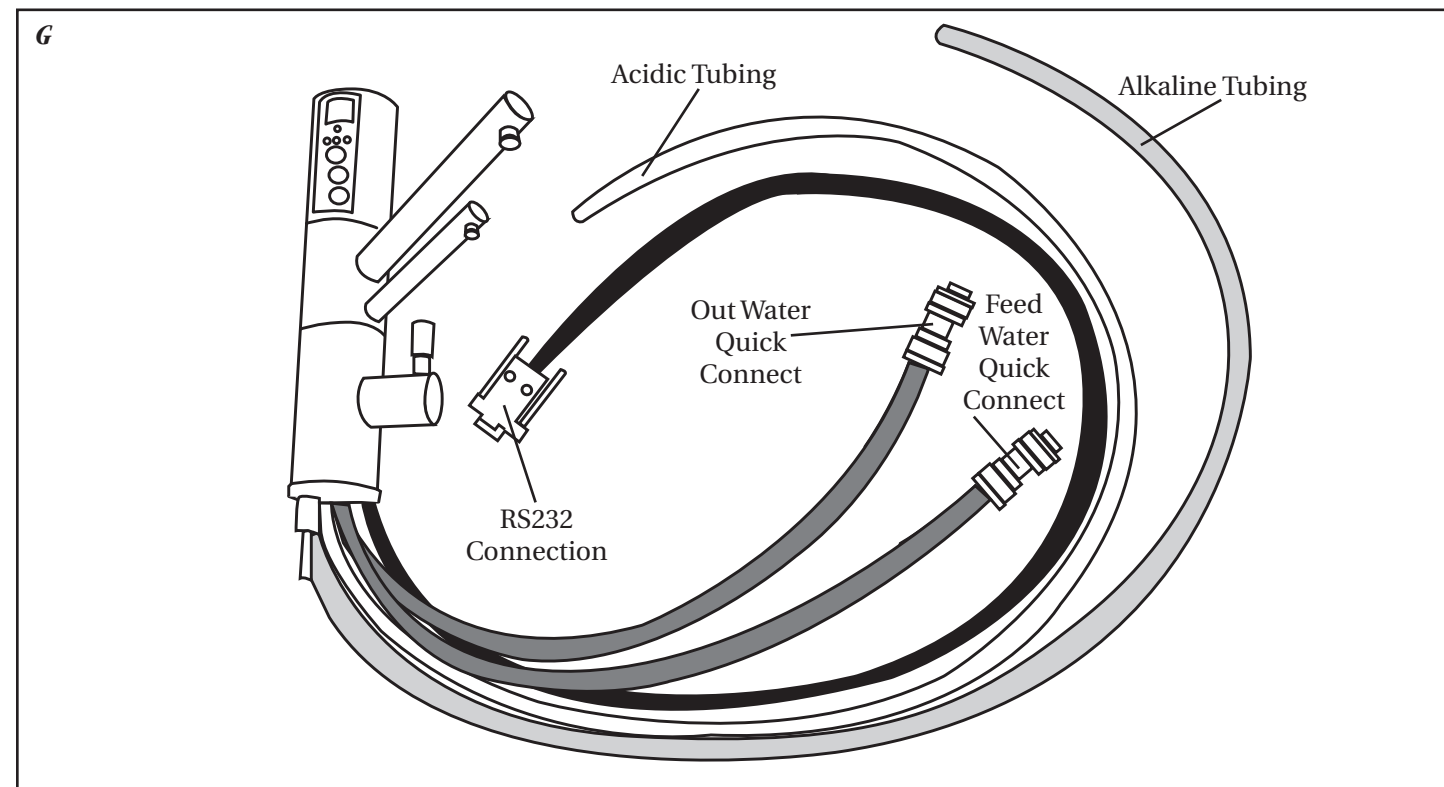
Installing the Living Water Essentials U7

NOTE: You need to remove the lock collar from the quick connect fitting before you can install the tubing. Reattach the lock collar after inserting the tube.

- Connect length of 3/8 inch tubing to the OUT WATER quick connect on the Living Water Essentials faucet. Connect opposite end to the INLET on the u7 unit.
- Take the gray ALKALINE flexible tubing from the Living Water Essentials faucet and connect to the ALKALINE quick connect on the u7 unit.
- Take the white ACIDIC flexible tubing from the Living Water Essentials faucet and connect to the ACIDIC quick connect on the u7 unit.

NOTE: Insert water supply and drain lines into the quick connects until they will not go in any further. Give each line a slight tug at the point of connection to make sure the lines are properly connected and that they do not slip out. This step will ensure proper installation and avoid possible leaks from improperly installed lines.

- Take the RS232 Connection from the Living Water Essentials faucet and connect to the CONNECTOR on the back of the u7 unit. Tighten securely.
- Verify the power selector switch is in the proper position for your power supply (115 volt vs. 220 volt). Attach power cord.
- Set unit into place under cabinet, making sure none of the flexible tubes are kinked.
- Open the water supply valve, checking for leaks.
- Plug in unit to power supply.
- Turn on power switch on front of u7 unit.



After Installation

- Let the water run for 2 minutes through the faucet to remove the air from the lines.

OPERATION

NOTE: Please begin drinking alkaline water gradually as it is detoxifying. For example, drink 16 oz. of Level 1 water for several days, gradually increasing the amount you consume to your full daily amount of water. Increase one level each week until you are drinking your full daily amount of water on Level 4 (highest pH level). Following this gradual procedure will minimize unpleasant effects of detoxification, such as cold or flu-like symptoms, headaches, rashes, diarrhea and/or nausea. You may notice differences in bowel habits during the first days at each pH level. Urine frequency may increase and color may darken as more water is consumed and your body detoxifies. Eventually the color decreases as your body adjusts to the cleansing. If detoxification symptoms become uncomfortable, it is suggested that you decrease to a lower level alkaline water until these symptoms subside and gradually build up again to higher levels.

The upper spout on the Living Water Essentials is the selected pH level. The lower spout is the drain water.

Acidic: Acidic water is a pH level of 5.0-6.5. This water is an astringent and is excellent for cleaning. This is not drinking water.

Filtered Water: Neutral water is a pH level of 7.0. This water should be used when taking medicines or with baby formula.

Alkaline L: Alkaline L is a pH level of 8.0-8.5. Begin drinking water from this level for the first week, gradually increasing your consumption.

Alkaline M: Alkaline M is a pH level of 8.5-9.0. Drink water from this level once you are adjusted to Alkaline L, gradually increasing your consumption.

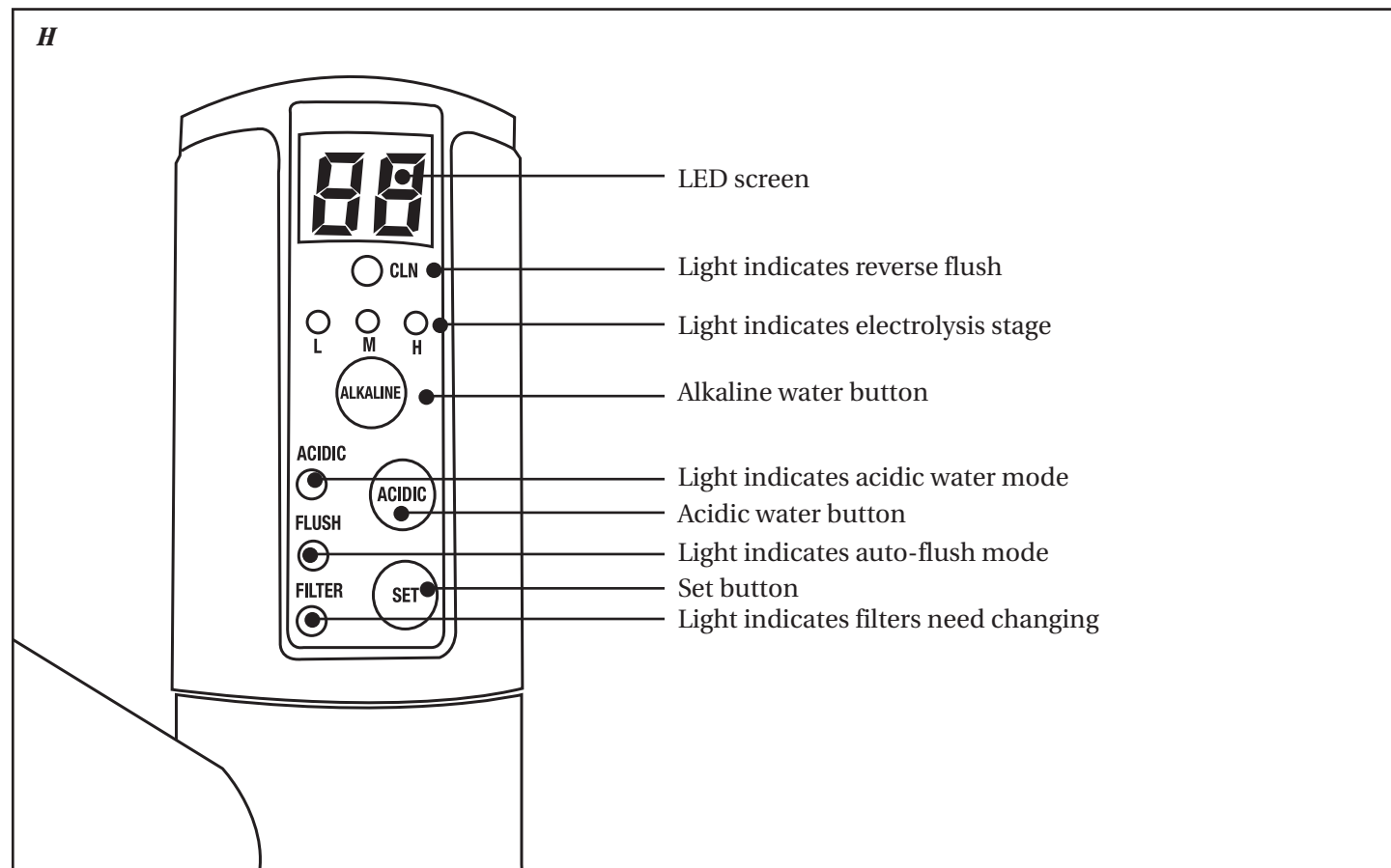
Alkaline H: Alkaline H is a pH level of 9.0-9.5. Drink water from this level once you are adjusted to Alkaline M, gradually increasing your consumption. This is the ideal setting once the body has adjusted to alkaline water. In the fourth week and thereafter, use this water for drinking, cooking, coffee and tea.

NOTE: pH is measured on a scale from 0 to 14.0 with 7.0 pH being neutral; the water being neither alkaline nor acidic. The total pH will be 14. For example, if the U7 unit is producing alkaline pH 9.5 water (delivered at the upper spout), the acidic water being delivered at the lower spout will have a pH of approximately 4.5 acidic.

IMPORTANT: DO NOT drink any of the following water types:

- ANY acidic water
- High pH alkaline water (above 10.0 pH)
- Water produced during the auto flush (electrode cleaning) process.
- When no pH value is displayed on the LED display.
- When the u7 unit has not been used for more than two days, let water run for 30 seconds before consuming.

LED DISPLAY



To Produce Alkaline Water (Living Water Essentials Faucet Control Panel)

- Press the 'ALKALINE' button to select the alkaline pH desired. Continue pressing the button until the desired alkaline level is indicated on the 'L', 'M' and 'H' lights:
 - H: pH 9.0 ~ pH 9.5 (level 3 drinking water)
 - M: pH 8.5 ~ pH 9.0 (level 2 drinking water)
 - L: pH 8.0 ~ pH 8.5 (level 1 drinking water)
- Turn on the Living Water Essentials faucet.
- The alkaline water selected will flow out of the upper spout in approximately 10 seconds.
- Acidic water will flow out of the lower spout. DO NOT drink water from the lower spout when producing alkaline drinking water.
- The LED display will be GREEN.
- The Living Water Essentials faucet LED screen will go into the stand-by mode unless auto reverse flush (electrode cleaning) is activated.
- After a short period, the LED display will go dark to conserve energy.

To Produce Acidic Water (Living Water Essentials Faucet Control Panel)

- Press the 'ACIDIC' button to select the acidic pH desired. Continue to press the button until the desired acidic pH value is displayed on the LED display. Acidic pH ranges from 5.0 to 6.5 pH
- Turn on the Living Water Essentials faucet. The acidic water selected will flow out of the upper spout in approximately 10 seconds. The alkaline water produced will flow out of the lower spout.
- The LED display will be RED.
- The Living Water Essentials faucet LED screen will go into the stand-by mode unless auto reverse flush (electrode cleaning) is activated.
- After a short period, the LED display will go dark to conserve energy.
- The Living Water Essentials faucet will automatically return to the alkaline production mode when activated again.

To Produce Filtered Only Water (Living Water Essentials Faucet Control Panel)

NOTE: Filtered only water has a pH very close to the pH of your tap water. Most municipally provided water has a pH value of 7.0 or slightly above. Use filtered water when preparing baby formula and when taking medicine.

- Press the 'ALKALINE' button until the "CLN" on the control panel is turned on.
- Turn on the Living Water Essentials faucet. The filtered only water selected will flow out of the upper spout in approximately 10 seconds.
- The LED display will be green.
- Water will flow from BOTH the upper and lower spouts. DRINK THE WATER FLOW FROM THE UPPER SPOUT.
- The Living Water Essentials faucet LED screen will go into the stand-by mode unless auto reverse flush (electrode cleaning) is activated.
- After a short period, the LED display will go dark to conserve energy.

Automatic Electrode Cleaning

- Your water ionizer has an automatic electrode cleaning feature built in that reverses water flow across the electrodes keeping the system operating at peak efficiency. The system is programmed to enter the automatic cleaning mode after each 30 L of ionized water is produced. After 2850 Liters, the unit requires use of a citric acid cleaning cartridge to clean the system properly.
- The automatic cleaning cycle is short, only requiring one liter of water to clean the electrodes.
- After the cleaning cycle is complete, alkaline and acid water is available for use.

NOTE: Cleaning cycle occurs every 30 Liters of total water usage. Total water usage includes both alkaline and acidic water produced.

MAINTENANCE

The Living Water Essentials u7 unit automatically keeps track of the volume of water that is processed by the Pre-Conditioning water filtration unit. The change alert 'LIFE' light on the Living Water Essentials faucet control panel will light up when approximately 10,000L of water has passed through the Pre-Conditioning unit to notify you that a filter change is needed. If your water begins to have a bad taste or odor, it is an indication that your tap water is of lower quality and it is time to change your filters. Use of the citric acid cleaning cartridge is required every 2850 Liters to clean the U7 system.

IMPORTANT: *When the filter 'LIFE' light lights, the u7 unit will stop operating until the filters are changed and the filter life count is reset to zero (see resetting the filter life below). Therefore it is strongly suggested that at about 1000 liters prior to the filter life expiration, you order new filter cartridges.*

Instructions for Pre-Conditioning Unit Filter Replacement

- Disconnect power cord from outlet.
- Turn off the water source.
- Turn on the Living Water Essentials faucet to release the pressure.
- Pull Pre-Conditioning unit out from under the cabinet.
- Unscrew and remove filter housing.

NOTE: *Filter housing will be full of water. It is recommended that a flat pan or towel be placed under the housing during the removal process to capture any spilled water.*

- Pour water out of filter housing and remove the old filter. Replace with the new filter. Clean inside of housing before installing the new filter.
- Lightly coat the O-rings on the filter housing with plumber's silicone grease. Do not use vaseline as this will damage the o-rings and cause leakage to occur.
- Screw housing back onto unit until snug.

CAUTION: *Overtightening filter housing may cause leaks.*

- Continue to replace the second filter. Be sure to pay attention to order of housings when replacing.
- Restart the u7 unit by turning on the water source and check all connections for leaks. Plug unit into power source.
- Turn on the Living Water Essentials faucet for 2 minutes to clear the new filters.
- Place Pre-Conditioning unit back under the cabinet.

⚠ WARNING: *Take care not to pinch or kink tubing when placing unit inside cabinet.*

Instructions for Cleaning the Electrode Plates

To insure continued optimum water ionization, it is necessary that you clean the u7 ionization engine (electrodes) at every 2850 Liters. This is accomplished using a cleaning cartridge that contains citric acid in the Pre-Conditioning unit. Citric acid is a common food additive that poses no health risks. This cleaning process requires that you (1) remove the water filter from the Pre-Conditioning unit (2) install the cleaning cartridge and (3) briefly operate the u7 to introduce the citric acid into the ionization engine. The citric acid must remain in the ionization engine for five (5) hours to insure complete cleaning. After the cleaning process is completed, you will re-install the water filter in the Pre-Conditioning unit and then you can again produce and enjoy high quality ionized water.

- Disconnect the u7 power cord.
- Turn off the water source.
- Turn on the Living Water Essentials faucet to release the pressure.
- Pull Pre-Conditioning unit from under the cabinet.
- Unscrew and remove second filter housing.

NOTE: *Filter housing will be full of water. It is recommended that a flat pan or towel be placed under the housing during the removal process to capture any spilled water.*

- Pour water out of filter housing and remove the filter from the second housing. Clean the inside of housing then install the Cleaning Cartridge. Screw housing back onto unit until snug.

CAUTION: *Overtightening filter housing may cause leaks.*

- Turn on the water source and check for leaks. Plug unit into power source.
- Turn on the Living Water Essentials faucet at a low flow until you get a dribble out of the faucet for about 30 seconds. This will insure that the ionization engine is full of cleaning fluid (citric acid). Turn off the water flow and let the unit sit unused for 5 hours.
- After the 5 hours has passed, unplug the unit, turn off the water source and pull the Pre-Conditioning unit from under the counter.
- Remove the cleaning cartridge from the second filter housing and discard (the cartridge is designed to be used only once)
- Replace the filter into the housing, or install a new filter if needed. Screw housing back onto unit until snug.

CAUTION: *Overtightening filter housing may cause leaks.*

- Turn on the water source and check for leaks. Plug unit into power source.
- Turn the Living Water Essentials faucet ON. Let water run through the water ionizer for 3 minutes. This will fill the new filter with water and flush out any residue citric acid from the ionization engine.
- Reset the filter life count if you are replacing the filter.

Resetting the Filter Life (Living Water Essentials Faucet Control Panel)

Each time you install new filter cartridges in the Pre-Conditioning unit, you will need to reset the accumulated flow count to zero.

- Press the 'SET' button for 3 seconds, then release.
- Press the 'SET' button FOUR times – then continue pressing. The current water volume count will be displayed on the LED display.
- Press the 'ACID' button to decrease the reading on the LED display to zero (0).
- After you are done setting the count value to 0, the display will flash 3 times to confirm the setting.
- Release the 'SET' button.

Reverse Flush Function (Living Water Essentials Faucet)

The u7 unit automatically flushes (cleans) its electrolysis plates when a preset volume of water has passed through the electrolysis engine. This ensures that the water ionization remains at the optimum level. When this volume of water is reached, the Living Water Essentials faucet control panel will alert you that the electrode cleaning is in progress. The CLN light will appear lit and you will be alerted not to drink the water. This flush will last for 12 seconds and will use one liter of water. After the flush process is complete, you may continue to use your u7 unit as usual.

Testing the pH

CAUTION:

- Keep the testing kit away from fire.
- Testing kit and/or water with testing solution should not be ingested or dropped in eyes.
- Keep the testing kit out of children's reach.
- If accidentally ingested, drink a lot of alkaline water and go to the hospital immediately.
- If solution comes in contact with eyes, flush the eyes with water and go to the hospital immediately

- Add 2 drops of the pH/chlorine testing solution to 1.0`1.5oz sample water.
- Compare the resulting hue to the pH color chart. The corresponding hue is the pH level.
- The chlorine test result should be yellow from your tap water, and colorless from the ionized water.

NOTE: Both the pH and chlorine test is an approximation. Digital meters are required for exact measurement.

NOTE: pH levels are dependent upon the TDS levels of the incoming water source. If adjustments are necessary to achieve optimal water production, contact your dealer for instructions.

TROUBLESHOOTING

<i>Problem</i>	<i>Cause</i>	<i>Solution</i>
Low water pressure	Water source line pinched	Check tubing for kinked or bent restrictions
	Filter is clogged	Replace with new filter (pg. 13)
	Flexible hose may be bent	Straighten hose
	Inlet valve not fully opened	Open inlet valve completely
Bad smell	Filter life has expired or excessive amount of sulphur in the water	Replace with new filter (pg. 13) or use a sulphur pre-filter
	Time for system cleaning	Use a citric acid cleaning cartridge
Water has chlorine taste		Filter needs replacing or water is too strong. Drink on lower setting
	May require an additional prefilter installed	Contact your Dealer
After replacing filter, the filter life screen is still empty	Filter life not reset	Reset filter life (see pg. 13)
No power to LCD screen	The unit is not plugged in.	Plug unit into power source
	The electrical outlet may not have power	Test electrical outlet or call your electrician
	The unit has a power saving mode. After not using the unit for 20 seconds, it will shut down automatically	Turn on the faucet and the unit will start again
Water leakage	Check all quick connect fittings, hose connections and make sure that the filter is seated properly	Re-seat filter and secure hoses and quick connect fittings on the unit
	Damaged o-rings	Check all o-rings and replace if necessary
pH test yields acidic results when set on alkaline	Water was tested too soon after cleaning cycle	Allow water to run for 30 seconds before testing pH again

FAQ

Q: What is the white powder which sticks to the cup or kettle?

A: Alkaline-forming minerals, including calcium, magnesium, sodium, potassium, iron, and manganese. The white powder will appear after boiling alkaline water. It is safe to consume.

Q: What kind of water should be used?

A: Only potable water should be used with the Living Water Essentials unit.

Q: Do I have to unplug the unit if I don't use it in over one week?

A: Yes, please remove the filter from the unit and drain water from the filter, store it in a clean plastic bag, and unplug the unit. When you need to use it again, install the filter and let it run about 3 minutes before you drink.

Q: Why are there little bubbles in the ionized water?

A: It's because the water mixes with air during the ionization process.

Q: Why is it unsafe to take medicine with ionized water?

A: Because the water makes the medicine more absorbable in the body. A 50mg tablet could affect your body as if it were a 100mg tablet.

Q: Can a baby drink alkaline water?

A: No, a baby should drink regular filtered water, or pH level 7.0.

Q: What does the acidic water do?

A: Acidic water is for cleaning and skin cleansing. Only use it for external uses.

Q: Who should drink ionized water?

A: Everyone, young and old, human or animal. The alkaline effect will be beneficial to some degree to nearly everyone and everything it comes in contact with.

LIMITED 5 YEARS WARRANTY

Customer should not repackage and ship the Living Water Essentials because irreparable damage can occur. For warranty service, please contact your Dealer for the address of the nearest service center.

WHAT IS COVERED BY THIS WARRANTY -

We warrant the LivingWater Essentials (excluding filters) to the consumer, subject to the conditions below, against defects in workmanship or material, provided that the products are returned to a service location within the following time periods:

- Living Water Essentials within 5 years of date of purchase.

INSTALLATION AND MAINTENANCE REQUIREMENTS -

This warranty is expressly conditioned upon the following installation and maintenance requirements: (i) the Living Water Essentials must be installed by a licensed plumber; (ii) the Living Water Essentials must be installed in accordance with the Owner's Manual; (iii) all filters must be replaced at the intervals prescribed in the Owner's Manual (proof of filter change may be required) (iv) system must be cleaned every 2850 Liters with a citric acid cleaning cartridge and (v) the Living Water Essentials must be used and maintained in accordance with the Owner's Manual. Failure to meet any of these requirements will void this warranty. Servicing your Living Water Essentials by parties other than our authorized representative and/or using parts other than genuine parts will also void this warranty.

HOW TO OBTAIN WARRANTY SERVICE -

Customer must contact our Dealer and provide proof of purchase within the above time periods. We will repair or replace and return the product, without charge and within a reasonable period of time, subject to the conditions in the above paragraphs, if its examination shall disclose any part to be defective in workmanship or material. If we, in our discretion, are unable to repair the product after a reasonable number of attempts we will provide either a refund of the purchase price or a replacement unit, at the company's option.

WHAT IS NOT COVERED BY THIS WARRANTY -

This product is intended for household use only and only for use with municipal water systems. Ordinary wear and tear shall not be considered a defect in workmanship or material. These warranties do not apply to filters nor for loss or damage caused by accident, fire, abuse, misuse, improper installation, leaking, modification, misapplication, commercial use, or by any repairs other than those provided by our authorized Service Center. This warranty does not cover any water damage.

EXCLUSION OF OTHER WARRANTIES AND CONDITIONS -

EXCEPT AS PROVIDED HEREIN, WE MAKE NO REPRESENTATION OR WARRANTY OF ANY KIND. ALL OTHER WARRANTIES OF ANY KIND, EXPRESS OR IMPLIED, ARE HEREBY EXPRESSLY DISCLAIMED, INCLUDING ANY IMPLIED WARRANTY OF MERCHANTABILITY OR FITNESS FOR A PARTICULAR PURPOSE.

LIMITATION OF LIABILITY FOR SPECIAL, INCIDENTAL OR CONSEQUENTIAL DAMAGES -

WE SHALL NOT IN ANY CASE BE LIABLE FOR SPECIAL, INCIDENTAL OR CONSEQUENTIAL DAMAGES ARISING FROM BREACH OF EXPRESSED OR IMPLIED WARRANTIES, CONDITIONS, GUARANTEES OR REPRESENTATIONS, BREACH OF CONTRACT, NEGLIGENCE OR ANY OTHER LEGAL THEORY. Such excluded damages include, but are not limited to, loss of profits or revenue, and loss of the use of the products, and any loss caused by leaks or other water damage.

FOR U.S. APPLICATION ONLY -

This warranty gives you specific legal rights, and you may also have other rights which vary from state to state. Some states do not allow limitations on warranties, or on remedies for breach. In such states, the above limitations may not apply to you.

FOR CANADIAN APPLICATION ONLY -

Exclusion of Subsequent Owners: Except as otherwise required by applicable legislation, this warranty is not transferable. This warranty gives you specific legal rights and you may also have other rights which vary from province to province. Some provinces and territories do not allow limitations on warranties, or on remedies for breach. In such provinces or territories, the above limitations may not apply to you. If any provision of this warranty or part thereof is held by a court of competent jurisdiction to be invalid, illegal or unenforceable, the validity, legality and enforceability of the remaining provisions or parts thereof will not in any way be affected or impaired within the jurisdiction of that court. This entire warranty shall continue to be valid, legal and enforceable in any jurisdiction where a similar determination has not been made.

This warranty is provided by DBG Group Investments, LLC, 300 East Valley Drive, Bristol, VA, 24201.

Service

Every effort is made to ensure that customers receive an up-to-date instruction manual on the use of our products; however, from time to time, modifications to our products may without notice make the information contained herein subject to alteration. For the latest information, please visit www.ecoquestintl.com.