

Ozone Blaster 20g

20000 mg. Commercial Air Purifier



OWNER'S MANUAL

**Please read all of the information provided in this owner's manual
before operating your new Ozone generator.**

EcoQuest International

310 T. Elmer Cox Drive • Greeneville, TN 37743 • (888)664-1812
www.EcoQuest.company

WARNING

This air unit is not a medical device. Do not stop or alter any medical therapy programs or medications without the advice of your physician. Excessive ozone concentrations may cause mucous membrane or respiratory irritation.



CAUTION

**RISK OF ELECTRICAL
SHOCK DO NOT
OPEN**



ATTENTION

CAUTION: TO REDUCE THE RISK OF ELECTRICAL SHOCK, DO NOT REMOVE COVER. NO USER SERVICEABLE PARTS INSIDE. REFER SERVICING TO QUALIFIED SERVICE PERSONNEL.

This “bolt of lightning” indicates that uninsulated material within your unit may cause an electrical shock. For the safety of everyone, do not remove product covering.



The Ozone generator is designed to use in unoccupied spaces only.

Read ALL instructions carefully before using this product.

FOR YOUR RECORDS

Please record the model and serial number below, for easy reference, in case of loss or theft. These numbers are located on the back panel of your air purification unit. Space is also provided for other relevant information.

Model Number _____

Serial Number _____

Date of Purchase _____

Purchased From _____

CAUTION!

In order to reduce the risk of leakage to damage the instrument or person, it is important that be properly grounded to avoid potential shock.

INTRODUCTION

This ozone generator is an advanced and convenient contaminant remediation product. High-powered oxidation in a compact, rugged and simple design. Utilizing controlled corona discharge ozone technology developed specifically to reduce odors and smoke in unoccupied spaces, ideal for treatment for large space etc. It is with 4 grades adjustment, from 5000mg ozone output to 20000mg ozone output.

Technology:

Utilizing controlled corona discharge ozone technology

Application:

Special designed for high ozone shock treatment.

in fire / flood restoration, crime scene cleanup , garbage compactors, heavy restoration, auto detailing, all heavy odor remediation tasks, food service sterilization packaging manufacturing, bacteria or mold odors Home/ Commercial decontamination, purifying rooms in hotels and for killing mold, and more.

Feature:

Heat sink to reduce the heat on the ozone plate, for longer working time

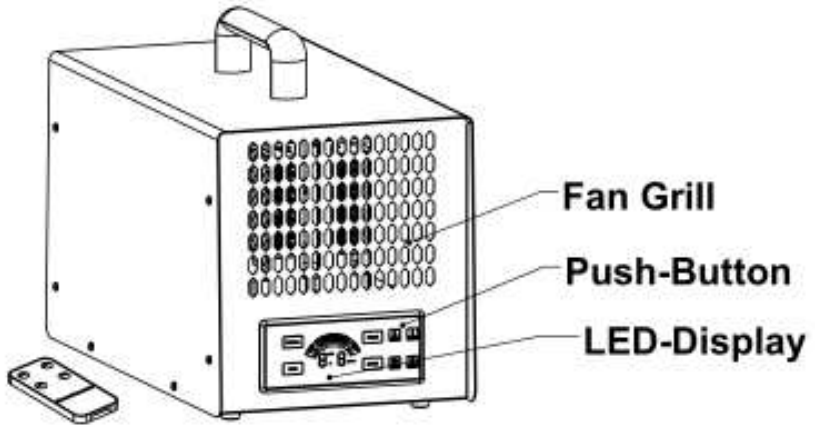
All inner terminals and screws are stainless steel

Stainless steel pre-filter to remove large particle
High quality electronic parts, UL listed bigger fan
Digital remote control (19~32ft. (6~10m))

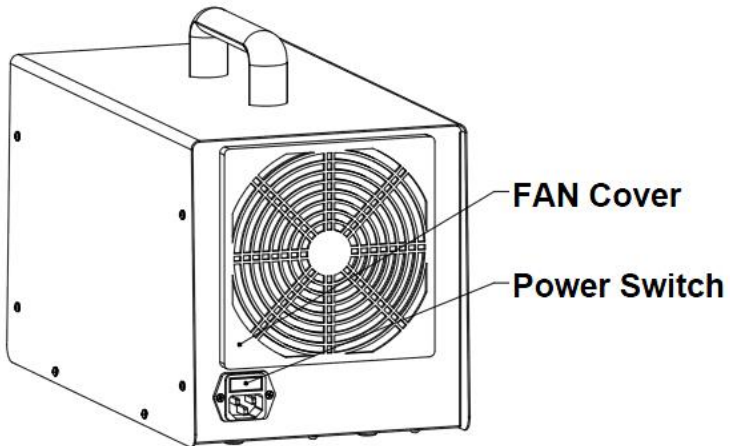
SPECIFICATIONS

Model:	HE-143
Rated Voltage:	Europe AC 220-240V/50-60Hz or USA/Japan AC 100-120V/50-60Hz
Power Consumption:	270W
Supply gas	Ambient Air
Air Volume:	Max 170CFM
Active Oxygen(on) :	5000-20000mg/h
Construction:	Stainless steel cabinet and inner terminal and screws.
Ozone plate:	4pcs 5g ozone plates, 90*70mm
Remote Control/Manual:	19~32ft. (6~10m)
Fuse:	110-120 Volt, 6 Amp, 50/60Hz, or 220-240 Volt, 3 Amp, 50/60Hz
Sound Level(DB):	55 Db.
Product size(mm):	202x379x215MM(without handle) 202x379x265MM(with handle)
Packing size:	450x290x340mm
Net Weight/Gross Weight:	6.2Kgs(13.6Lbs)/7.36 (16.22Lbs)
Application Area:	Over 5000sq.ft (500m ²)
Packing details:	1pc machine, 1pc remote control, 1pcs manual, 1pc power plug.

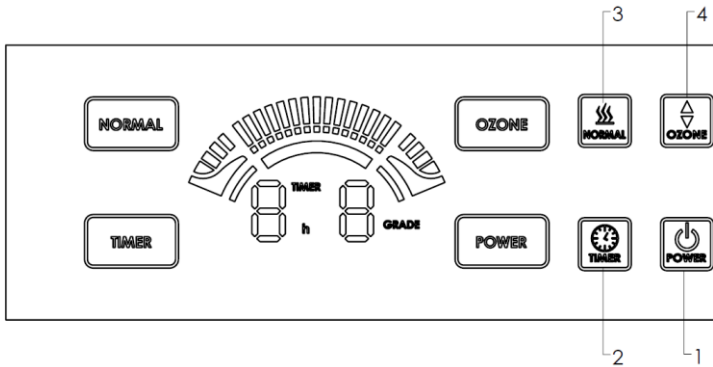
(Front View)



(Back View)

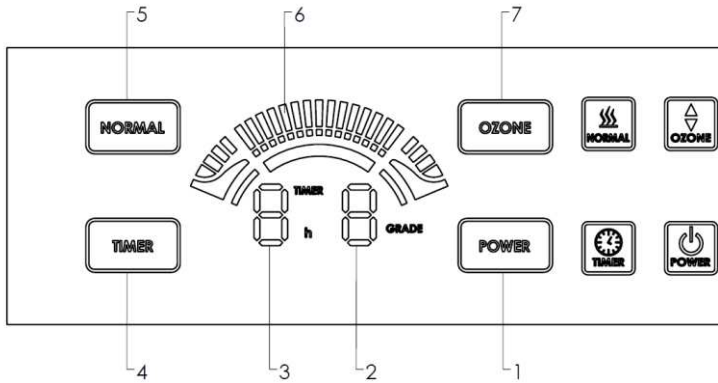


BUTTONS FUNCTION



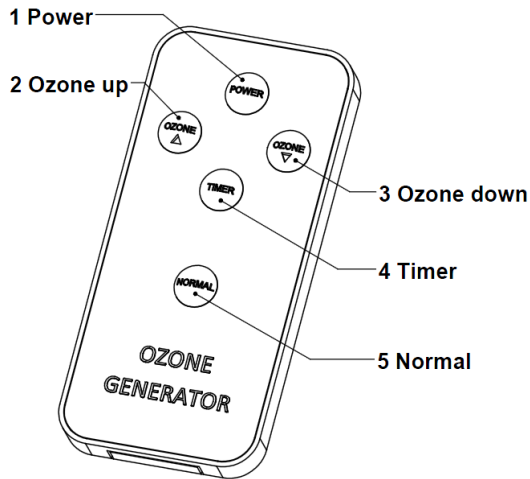
No.	Display	Function and operation instruction
1	Power	Standby mode: Machine turns on when press Power button, it starts working at grade 1; Power on mode: Machine turns off when press the Power button
2	Timer	1. Press TIMER, display 1 hour 2. Press one time, It will increase 1 hour, the max. is 9 hour, the min. is 1 hour 3. When the time setting is finished, press NORMAL would shut off mode, and back to normal working mode.
3	Normal	Press NORMAL, display 1 hour , and come to grade 2 as default
4	Ozone	Ozone output is divided to 4 grades: "1-2-3-4" Grade 1: 5000mg ozone output; grade 2: 10000mg ozone output; grade 3: 15000mg ozone output; grade 4: 20000mg ozone output.

LED DISPLAY



No.	Display	LED display
1	Machine working status	Press POWER to turn on the machine
2	Ozone grade	Press OZONE to indicate ozone working status, to display 1 to 4 ozone grade.
3	Countdown display	Display the countdown clock.
4	Timing reminder	Timing function is turned on.
5	Normal mode reminder	Press NORMAL to indicate Normal mode working status.
6	Ozone grade	Display 1 to 4 ozone grade
7	Ozone working status	Ozone function is turned on

REMOTE CONTROL FUNCTION



No	Name	Function and operation instruction
1	Power	Standby mode: it turns on when press Power, start working at grade 1; Power on mode: it turns off when press the Power
2	Ozone up	Increase the ozone output, it is "1-2-3-4"
3	Ozone down	Reduce the ozone output, it is "4-3-2-1"
4	Timer	1. Press TIMER, display 1 hour 2. Press one time, It will increase 1 hour, the max. is 9 hour, the min. is 1 hour 3. When the time setting is finished, press NORMAL would shut off mode, and back to normal working mode.
5	Normal	Press NORMAL, display 1 hour , and come to grade 2 as default

OPERATION

The Ozone generator is designed to use in unoccupied spaces. The unit has a timer that will enable it to run for a maximum duration of 9 hours. It will then shut the Ozone generator off. You should allow 40-60 minutes before returning to the treated area.

To operate the Ozone Generator:

- Before use, the device should be placed something under the unit bottom for steady
- Close off the desired area to be treated.
- Remove all occupants and pets.
- Position the unit as close as possible to the odor source.
- In such environments as motels that have individual heating and cooling systems, turn the fan on and set on re-circulate.
- Set timer to desired time and leave the room.
- Allow 40-60 minutes before re-entering the treated space.
- Return to space & ventilation area.

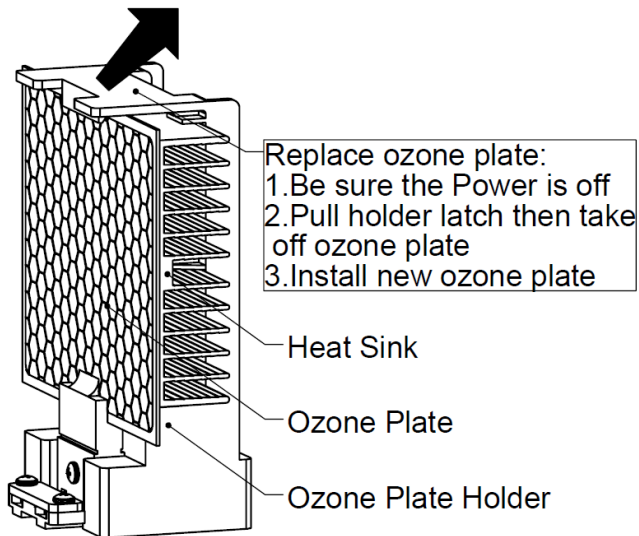
Remarks:

After closing the machine, the fan and one ceramic ozone plate will work delay one minute to cool the machine.

MAINTENANCE

When the air purifier no longer produces enough ozone to be effective, the ozone plates should be replaced. (Usually they should be replaced after 6000 hours)

How to replace the ozone plate:



- 1) Turn the unit off and unplug from outlet.
- 2) Use a screw driver to unfasten cover screw and remove cover.
- 3) Pull ceramic plate out of ozone generator module.
- 4) Install ceramic plate as shown in above figure (be careful not to drop the plate).

How to clean the ozone plate:

Wash the stainless steel screen and ceramic plate using a spray cleaner or detergent. Scrub with a stiff brush. A spray liquid cleaner with ammonia or chlorine may also be used to remove any non-visible adherents. Be careful not to drop the plate. Rinse plate thoroughly in hot water and dry completely before reinstalling. A hair dryer may be used to dry the plate more quickly.

When running the device, it has a burning smell, and/or appears to be

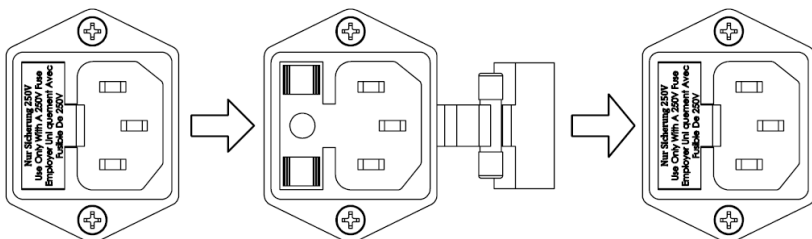
Ozone produces a smell or odor that smells like bleach or electric smell. This is normal during Ozone use.

TROUBLESHOOTING

If you suspect a problem with your unit check the following:

- 1) Unit is plugged in properly.
- 2) It's important that the Ozone Generator be properly grounded to avoid potential shock.

Fuse is installed properly and in good condition. To replace fuse, pull out the plastic fuse holder, remove old fuse and insert new fuse. (110-120Volt, 6Amp, or 220-240 Volt, 3 Amp) Refer to picture as follows:



Important

- 1.** To extend the life, continuous power interval must be 30 seconds or more, please unplug the device if the device are not used for long-term. Also the device should be worked within the specified voltage range.
- 2.** User normal use of the product in accordance with the instruction manual, the failure of the warranty period, can be a free repair.
- 3.** If the following conditions are paid maintenance during the warranty period:

Misuse, demolition, and modification caused the failure and damage;

Drop and faults and damage caused by transport;

For other disasters or abnormal voltage caused by the failure or damage.

SERVICE AND WARRANTY

The ozone generator commercial air purifier comes with a 1 Year Limited Warranty.

This device is warranted to be free from all defects in material in normal use for a period of 1 year from date of purchasing. The warranty is granted only to the original purchaser. This warranty provides for the repair or replacement of the unit, replacement product or parts may include re-manufactured or refurbished parts or components.

This warranty does not cover part of the unit that requires replacement under normal use. Any damages or malfunctions caused by negligence, abuse, or use not in accordance with the owner's manual are not covered by this warranty. Likewise, any defects or damages caused by unauthorized service.



EcoQuest International®

310 T. Elmer Cox Drive • Greeneville, TN 37743 • (888)664-1812
www.EcoQuest.company