

*Did you forget to register your Living Water Ultra with
EcoQuest International?*

By registering, you'll activate your warranty, and your privacy is guaranteed. Just fill out your warranty card and drop it in the mail.

WARRANTY INFORMATION

This product is warranted by EcoQuest International, 310 T. Elmer Cox Drive, Greeneville, TN 37743 to the original purchaser, depending on model, to be free from defect in materials and workmanship for a limited time. Length of warranty will vary depending on model. See warranty card for specific details.

If you have any questions concerning your Living Water Ultra, please see your local EcoQuest Business Owner. For help, visit www.EcoQuest.com.

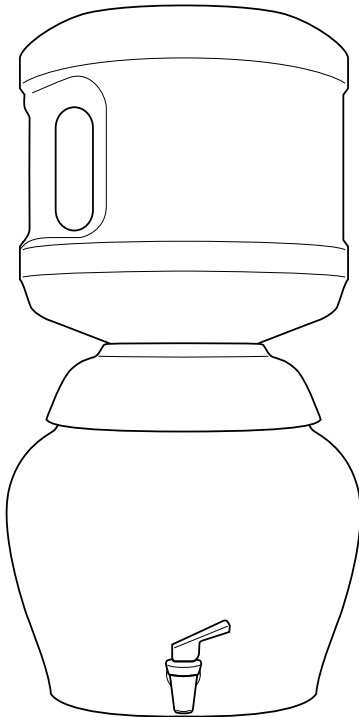


ECOQUEST INTERNATIONAL

310 T. Elmer Cox Drive
Greeneville, TN 37743
800.989.2299



Living Water ultra



OWNER'S MANUAL

- Assembly
- Operation
- Specifications
- Warranty

WATER FILTRATION SYSTEM

CAUTION: Read and save these instructions for proper procedures and operation.

CONTENTS

Unpacking and Inspection.....	2
Assembly.....	3
Using the TDS Meter.....	4
Filter Replacement.....	5
Restrictions.....	6
Tips and Questions.....	7

Please record the name and phone of your EcoQuest Business Owner:

Name _____

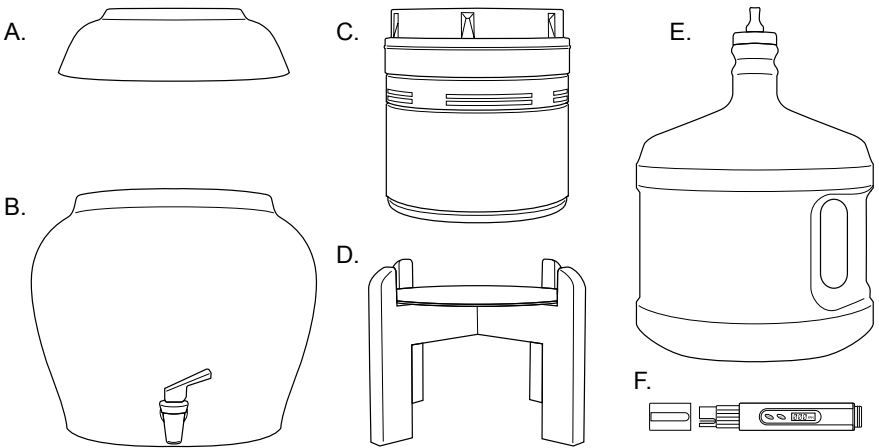
Phone _____

Please record the serial number of your Living Water Ultra:

Serial # _____

UNPACKING AND INSPECTION

Before proceeding, unpack and inspect all components to insure they are present.



A. Funnel

B. Ceramic Dispenser

C. Filtration Cartridge

D. Wooden Stand (optional)

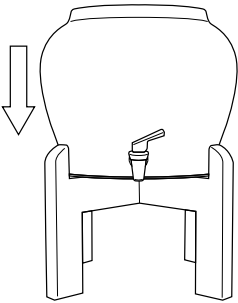
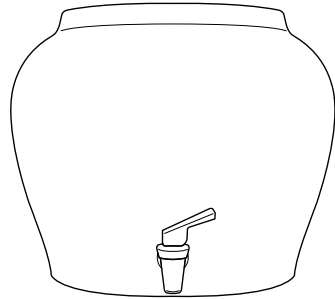
E. Blue Water Bottle

F. TDS Meter

ASSEMBLY

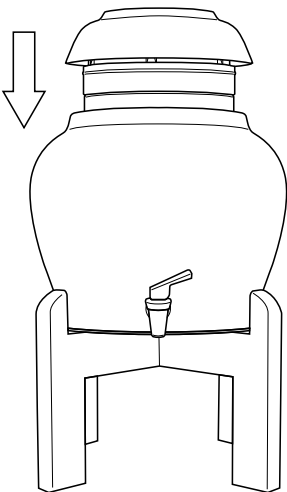
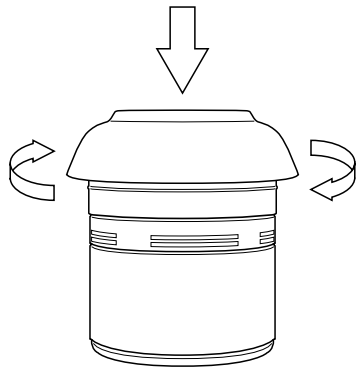
1. Rinse inside of ceramic dispenser with water thoroughly and air dry or wipe dry with a non-lint cloth.

Note: Either tap water, lint, soap or anything else inside the ceramic dispenser may cause the water to read higher than 000 (zero, zero, zero) on the TDS meter.



2. Place the clean ceramic dispenser on the wooden stand.

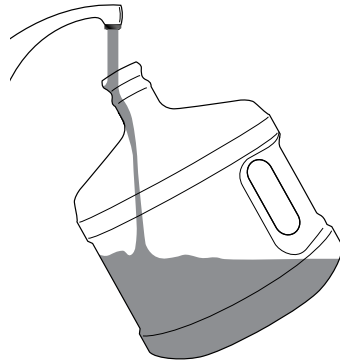
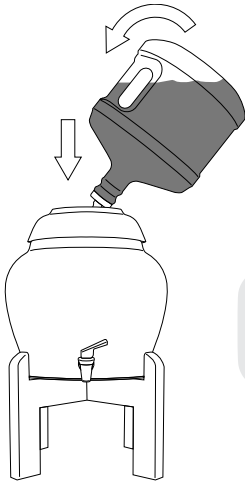
3. Push funnel down on cartridge and turn clockwise until funnel snaps into cartridge.



4. Insert funnel with filter cartridge into ceramic dispenser.

ASSEMBLY

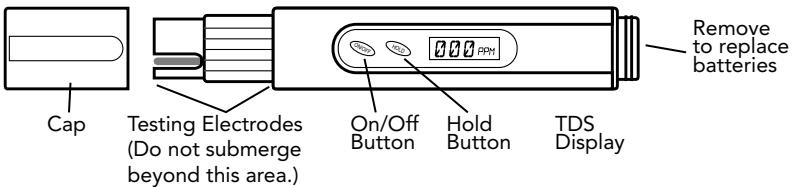
5. Remove cap from blue water bottle, fill with ordinary tap water, and replace cap.



6. Tilt bottle carefully and insert into top of funnel.

Note: To minimize spillage, place one hand over the bottle's hole while tipping into funnel.

USING THE TDS (TOTAL DISSOLVED SOLIDS) METER



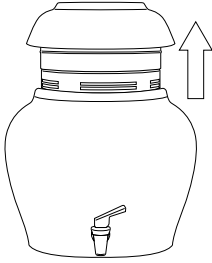
1. Remove cap and press the **ON/OFF** button.
2. Dip the Electrodes end of the TDS meter into the water being tested. **DO NOT** dip the meter beyond this point (THIS MAY SHORT OUT TDS METER).
3. Press the **HOLD** button to freeze the reading on the meter.
4. TDS Meter should read 000 (zero, zero, zero) for filtered water. If reading displays anything above 006 (zero, zero, six), the filter needs to be replaced.

WARNING: If the Electrodes of the TDS Meter have been dipped in unclean or contaminated water, it may display the wrong reading. The TDS Meter should be thoroughly cleaned before testing water.

FILTER REPLACEMENT

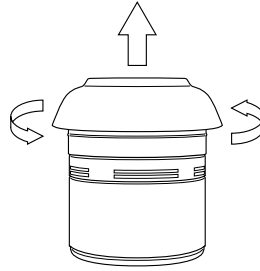
1

1. Remove funnel from the base.



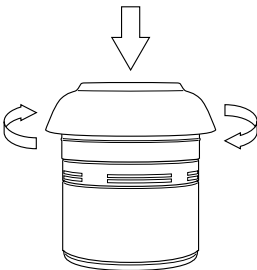
2

2. Pull up on the funnel, turn counter clockwise until funnel thread catches edge of cartridge and funnel comes off.



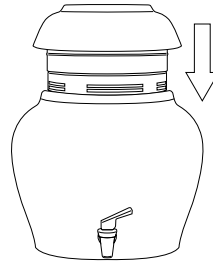
3

3. Push funnel down onto new cartridge and turn clockwise until funnel snaps into cartridge.



4

4. Replace funnel to the base.



To improve quality and customer satisfaction, the following enhancements have been made to your filter:

1. All the membranes are washed twice before using. This eliminates the need for conditioning with a gallon of water.
2. The cartridge lid now self locks in place.

When you receive your Living Water Ultra, the initial reading for a 4 to 5 oz. cup of water may be higher than zero. However, when you make a full cup of water, the reading will reach 000 (zero, zero, zero).

RESTRICTIONS

1. **Water Type:** You should only pour potable water into the filter. The Filtration Cartridge is not designed for microbiological contaminant removal. Do not use the filter with water that is microbiologically unsafe, or with water of unknown quality, without adequate disinfection before or after filtration by the filter. The contaminants, or other substances, removed by the filter are not necessarily in all users' water.

Warning: The filter is designed to clean water containing any of numerous contaminants. It is not designed to take water out of other liquids. No other liquid of any kind should be poured into the filter.

2. **Water Quantity:** The life of the Filtration Cartridge will depend on the quality of water being poured into it for cleaning. The more contaminated the water, the shorter the life of the Filtration Cartridge. The Filtration Cartridge generally last for 100 gallons, or 380 liters, with intake water rated at 120 TDS (total dissolved solids). A Water Check or the TDS Meter can be used to track the continued effectiveness of the Filtration Cartridge.

3. **Water Temperature:** Only room temperature water should be used in the filter. The temperature of the water being poured into the filter should not exceed 95°F (35°C) and should not fall below 40°F (4°C).

Warning: The use of water at temperatures above or below those specified could damage the Filtration Cartridge or cause contaminants in the Filtration Cartridge to be released into the water.

4. **Keeping the Filtration Cartridge Intact:** The Filtration Cartridge must remain sealed at all times. If the Filtration Cartridge is opened or damaged, it should not be used. If you notice any water leaks from the Filtration Cartridge, other than from the center opening at the bottom, stop using it. Failure to keep the Filter Cartridge sealed may cause contamination, failure of the purification chamber, or unclean water to be discharged.

Warning: A failure to comply with any or all of these restrictions for use and cleaning may result in failure of the Filtration Cartridge and may produce unclean or contaminated water. The manufacturer and distributor have no responsibility for unclean or contaminated water caused by improper use in any way.

TIPS AND QUESTIONS

Question: What type of container should I use to store my filtered water?

Answer: Ideally, you should store filtered water in a sealed container, made of either glass or food-grade plastic. Avoid storing purified water in containers made of stainless steel or other metals; those types of containers may react with the filtered water and release materials into the water. Also, certain plastics will release a plastic odor and taste into the water. Water from your Living Water Ultra is so clean that it can easily pick up tastes and odors from the container in which it is stored, or even from air.

Situation: The water is flowing through the filter very slowly or not at all.

Cause A: Air bubbles may be trapped inside the Filtration Cartridge and thereby are preventing the water from flowing properly.

Solution A: Tap thoroughly on the plastic funnel. If you see air bubbles rise in the bottle, you should release the air lock. This will help with the flow of water.

Solution B: You may have forgotten to remove the sealing tape at the bottom of the Filtration Cartridge (Only applicable for replacement cartridge orders).

Situation: When using the TDS Meter, a reading greater than 001 appeared with a new Filtration Cartridge, or very early in the use of the Cartridge.

Cause: If the Filtration Cartridge is new, it should trigger a reading of 000 or 001 on the TDS Meter. The glass you are using could have been contaminated with some material before catching the filtered water.

Solution: If you use a cloth or towel, make sure no paper or lint particles are left in the container. Rinse off the glass with filtered water to remove any soap or residue. Also, try shaking off any water from the tip of the TDS Meter before using it to test filtered water (If that does not work, your TDS Meter may be malfunctioning).

Question: Who should I contact if I have any further questions or problems with the unit?

Answer: Contact EcoQuest International at 800.989.2299.