

Declaration of Conformity

In accordance with
European Directive 89/336/EEC as Amended by European Directive 93/68/EEC
"EMC Directive"
European Directive 73/23/EEC as amended by European Directive 93/68/EEC
"Low Voltage Directive"

Date: 10th August 2004

Manufacturer: Environmental Health Services
310 T.Elmer Cox Drive
Greenville
Tennessee
TN 37744
USA

Authorized Representative: Epsilon Certification Service
Drury Lane
Drury
Buckley
Flinshire
CH7 3DU

ECS Project Number: ETS1068

On behalf of the manufacturer, Epsilon hereby declares that the Electronic Air Purification System:

BREEZE AT HF

To which this declaration relates are declared as being in compliance with the requirements of EU Directive 89/336/EEC and 73/23/EEC. The equipment shall be designed and constructed in accordance with the specification set out in the Technical file held by Epsilon Certification Service and documents referred to therein.

Equipment Specification: The full product specifications are listed in reports issued by Philips Testing Services PCEC #31421 and Entela I3351_F00-03.

The following Harmonised European Standards have been applied:

IEC/EN 60335-: 1991 + A1: 94 + A2: 99 Specification for safety of household and similar electrical appliances. General requirements.

IEC/EN 60335-2-65: 1993 + A1: 2000 Specification for safety of household and similar electrical appliances. Particular requirements. Air-cleaning appliances.


EN 55014-1: 2001 Electromagnetic compatibility. Requirements for household appliances, electric tools and similar apparatus. Emission.

EN 50014-2: 1997 Electromagnetic compatibility. Requirements for household appliances, electric tools and similar apparatus. Immunity.

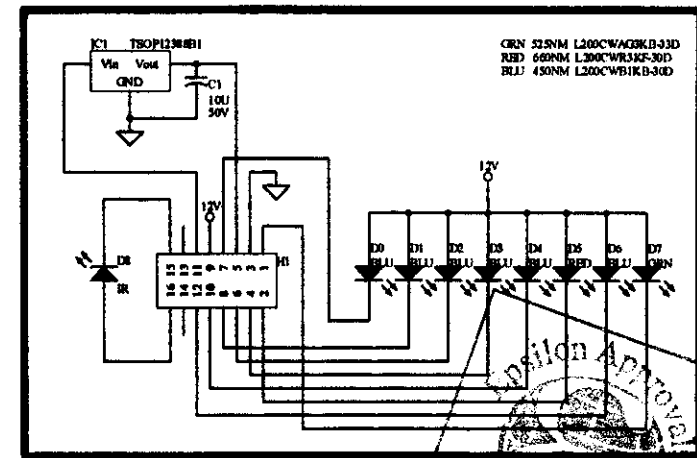
This Declaration May Only Be Used In Its Entirety and Without Change

On Behalf of Environmental Health Services.

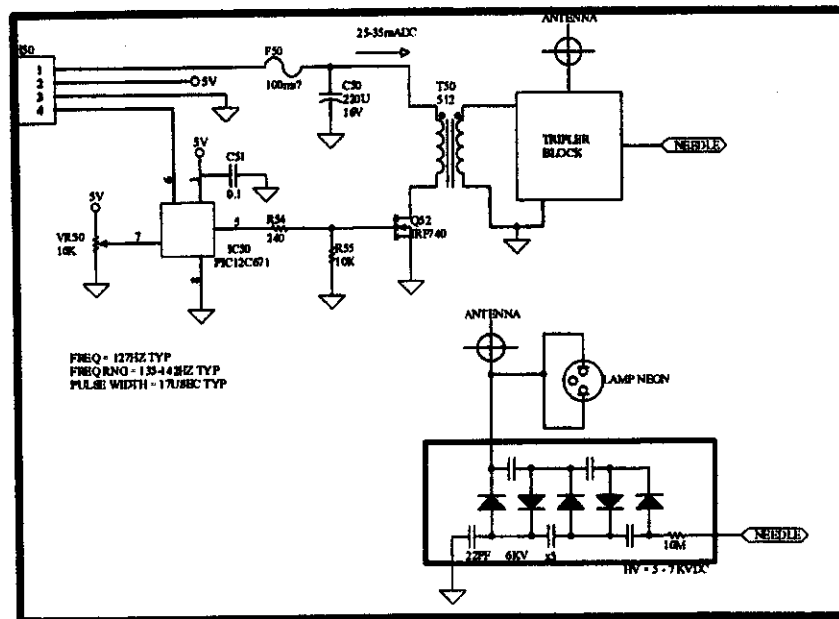



Stephen L D'Henin
Certification Manager
Epsilon Certification Service

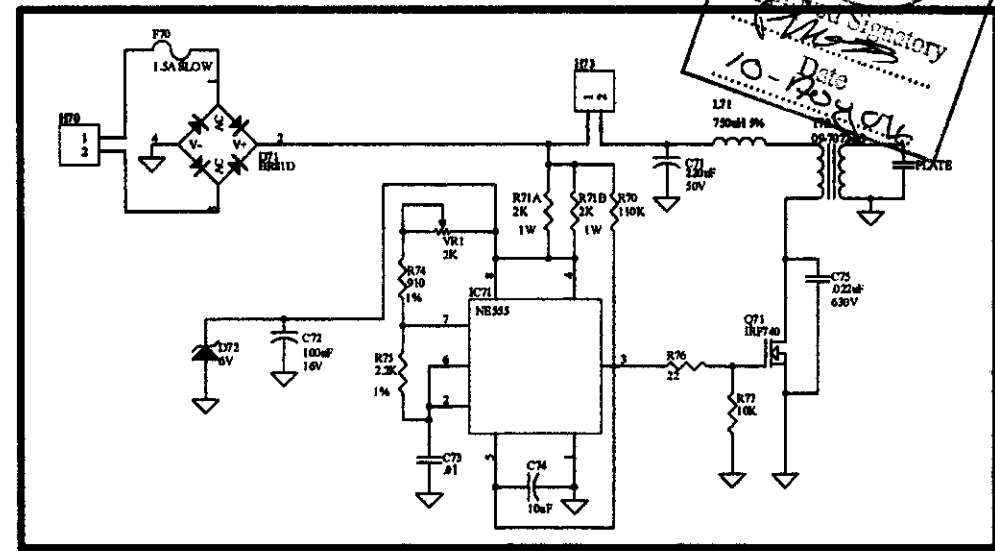
PART	DOMESTIC	JAPAN	CHI	KOREAN
RV30	03-V150LAS		06-HO10M4-R/E	
T30	09-31009-001, T3 not used		09-20716-001, T3 not used	
C31	5125		07-00010-001	
C36	562		07-00007-001	
AC Inlet Fuse	11-00028-001/1.0A fuse		11-00021-001/1.0A fuse	
Starter	14-00016-001		14-00017-001	
Run Motor	13-00021-001		13-00020-001	
UV Ballast	09-30820-001		09-31010-001	
H14 Jumper	Not Used = Square Feet	Used = Square Meters	Used = Square Meters	
Osone xdrv	09-00830-002	09-31006-001	09-30823-001	
Main Micro	94-07005-001	94-07005-001	94-07008-001	
TMC Micro	94-07004-002C	94-07004-001C	94-07004-002C	



DISPLAY



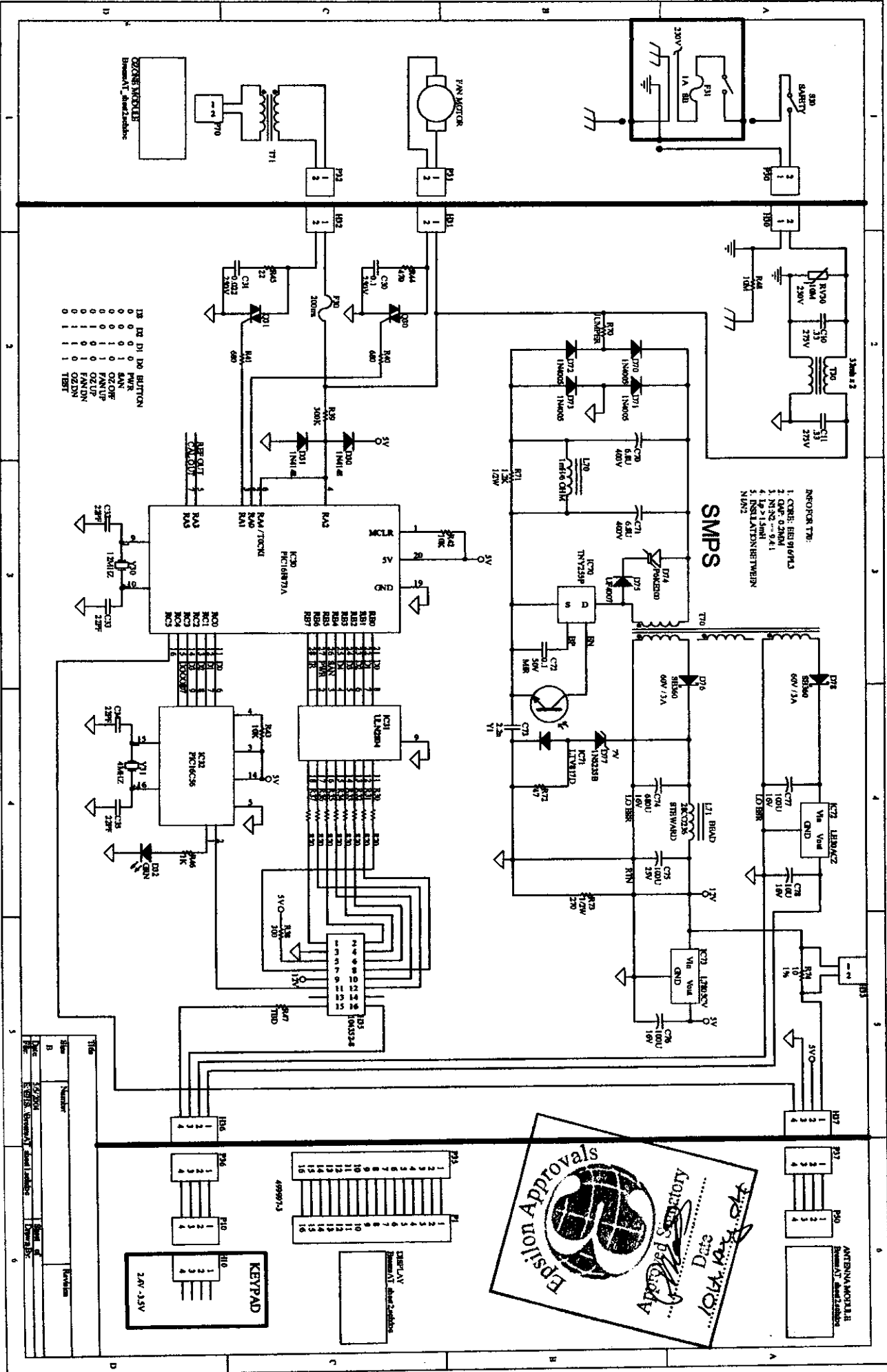
ANTENNA MODULE



OZONE MODULE

Rev	Number	Revision
A		
B		
C		
D		
E		
F		

Date: 5/2/04
 E:\WB_Use\A\A22\A22.doc
 Drawn By: _____



- REGULATOR:
- 1. CORE: EER 91713
 - 2. CAP: 0.22UF
 - 3. MS: 2.2K
 - 4. L: 2.15MH
 - 5. DIODE: 1N4007

18 D1 D1 D0 BUTTON
 0 0 0 0 0 0 0 0 0 0 0 0
 0 0 0 0 0 0 0 0 0 0 0 0
 0 0 0 0 0 0 0 0 0 0 0 0
 0 0 0 0 0 0 0 0 0 0 0 0
 0 0 0 0 0 0 0 0 0 0 0 0
 0 0 0 0 0 0 0 0 0 0 0 0
 0 0 0 0 0 0 0 0 0 0 0 0
 0 0 0 0 0 0 0 0 0 0 0 0
 0 0 0 0 0 0 0 0 0 0 0 0
 0 0 0 0 0 0 0 0 0 0 0 0

Pin	Signal	Number	Notes
1	24V	1	
2	1.5V	2	
3	1.5V	3	
4	1.5V	4	

