

# Ozone Blaster 14g

*14000 mg. Commercial Air Purifier*



## **OWNER'S MANUAL**

*Please read all of the information provided in this owner's manual before operating your new Commercial Air purifier.*

**EcoQuest International**

310 T. Elmer Cox Drive • Greeneville, TN 37743 • (888)664-1812  
[www.EcoQuest.com](http://www.EcoQuest.com)

## WARNING

**This air unit is not a medical device. Do not stop or alter any medical therapy programs or medications without the advice of your physician. Excessive ozone concentrations may cause mucous membrane or respiratory irritation.**

## WARNING

**This air unit is not a medical device. Do not stop or alter any medical therapy programs or medications without the advice of your physician. Excessive ozone concentrations may cause mucous membrane or respiratory irritation.**



## CAUTION

**RISK OF ELECTRICAL  
SHOCK DO NOT OPEN**



## ATTENTION

***Caution:* TO REDUCE THE RISK OF ELECTRICAL SHOCK, DO NOT REMOVE COVER. NO USER SERVICEABLE PARTS INSIDE. REFER SERVICING TO QUALIFIED SERVICE PERSONNEL.**

This “bolt of lightning” indicates that uninsulated material within your unit may cause an electrical shock. For the safety of everyone, do not remove product covering.

# INTRODUCTION

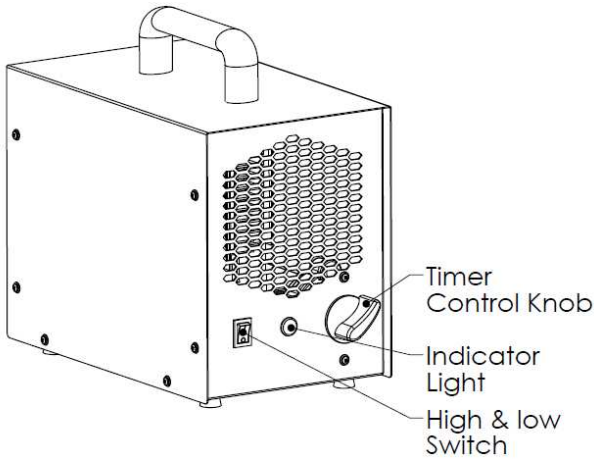
This commercial air purifier is an advanced and convenient contaminant remediation product. High-powered oxidation in a compact, lightweight, rugged and simple design. Utilizing controlled corona discharge ozone technology developed specifically to reduce odors and smoke in unoccupied spaces, ideal for treatment for big place.

## SPECIFICATIONS

Model:	Ozone Blaster 14g
Rated Voltage:	Europe AC 220-240V/50-60Hz Or USA/Japan AC 100-120V/50-60Hz
Power Consumption:	180W
Ceramic Plate Size(2 plates):	90X110MM
Air Volume:	Max 100 CFM(2.8 M <sup>3</sup> /min)
Active Oxygen(on) :	7.0g-14.0 g/h
Sound Level(DB):	45 Db
Product size(mm):	W166xH225xD278MM
Weight:	3.75Kgs(8.27Lbs)

# Operating the Ozone Generator Air Purifier

(Front View)



**PART**

**FUNCTION**

**Timer Control Knob**

Turn clockwise to set the timer for timed operation up to **TWO** hours.

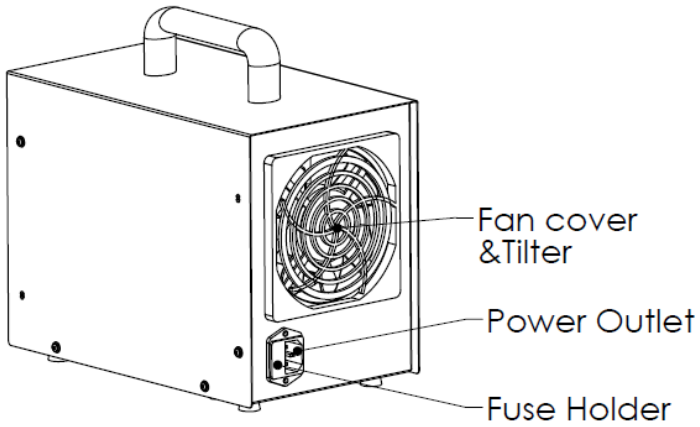
**Indicator Light**

Illuminates when unit is in operation.

**High-low switch**

ozone high and low change-over switch

**(Back View)**



**PART**

**FUNCTION**

<b>Fuse Holder</b>	Houses removable fuse.
<b>Power Cord</b>	(Spare fuse included, 2 amp, 1.58 inch in length) 220~240 Volt grounded cord

# OPERATION

The ozone generator is designed to remove odors in unoccupied spaces. The unit has a timer that will enable it to run for a maximum duration of 2 hours. The timer will then shut the commercial air purifier off. You should allow 40-60 minutes before returning to the treated area.

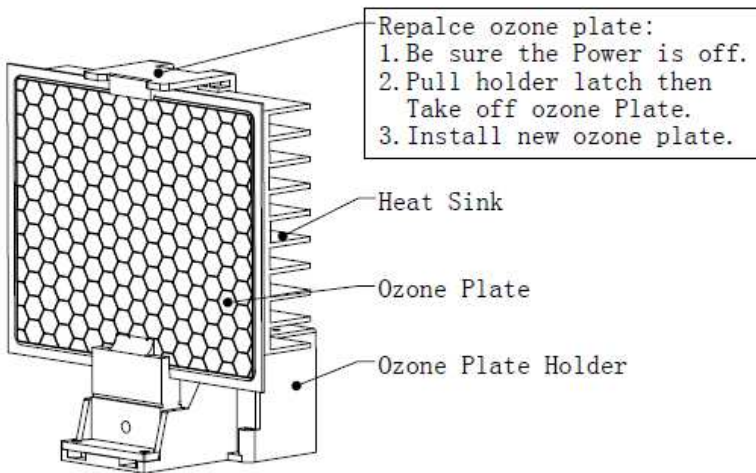
## To operate the Ozone Generator Air Purifier:

- Close off the desired area to be treated.
- **Remove all occupants and pets.**
- Position the unit as close as possible to the odor source.
- In such environments as motels that have individual heating and cooling systems, turn the fan on and set on re-circulate.
- Set timer to desired time and leave the room.
- Allow 40-60 minutes before re-entering the treated space.
- Return to space & ventilation area.

# MAINTENANCE

When the air purifier no longer produces enough ozone to be effective, the ozone plates should be replaced. (Usually they should be replaced after 6000 hours)

## How to replace the ozone plate:



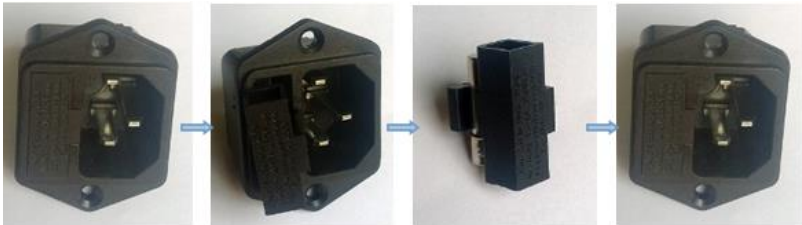
- 1) Turn the unit off and unplug from outlet.
- 2) Use a screwdriver to unfasten cover screw and remove cover.
- 3) Pull ceramic plate out of ozone generator module.
- 4) Install ceramic plate as shown in above figure (be careful not to drop the plate).

# TROUBLESHOOTING

If you suspect a problem with your unit check the following:

- 1) Unit is plugged in properly.
- 2) It is important that the Ozone Generator Commercial Air purifier be properly grounded to avoid potential shock.
- 3) Fuse is installed properly and in good condition. To replace fuse, pull out the plastic fuse holder, remove old fuse and insert new fuse. Replacement fuse must be 2 amp (1.58 inch).

Refer to picture as follows:





# SERVICE AND WARRANTY

The ozone generator commercial air purifier comes with a 1 Year Limited Warranty.

This device is warranted to be free from all defects in material in normal use for a period of 1 year from date of purchasing. The warranty is granted only to the original purchaser. This warranty provides for the repair or replacement of the unit, replacement product or parts may included re-manufactured or refurbished parts or components.

This warranty does not cover part of the unit that requires replacement under normal use. Any damages or malfunctions caused by negligence, abuse, or use not in accordance with the owner's manual are not covered by this warranty. Likewise, any defects or damages caused by unauthorized service.



**EcoQuest International®**

310 T. Elmer Cox Drive • Greeneville, TN 37743 • (888)664-1812  
[www.EcoQuest.company](http://www.EcoQuest.company)