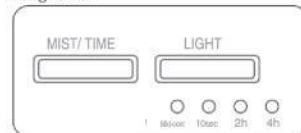


Using Guide



MIST/TIME SPRAY SWITCH

Tip: When you press the "MIST/TIME" switch for the first time, the aromatherapy machine will work in fog mode by default. If you press the "MIST/TIME" switch for 10 seconds, the MID/GONT LED will flash with its lights, and the aromatherapy machine will change into little fog mode.

1. Press the "MIST/TIME" switch for the first time; the aromatherapy lamp lights and the mist spray out.
2. Press "MIST/TIME" switch a second time; the aromatherapy machine will work in a 10-second spray and stop for 10 seconds mode, with "10-second intermittent signals" lights.
3. Press the "MIST/TIME" switch a third time; the aromatherapy machine works in a 2-hour timer mode, with the "2 hours timing signals" lights.
4. Press the "MIST/TIME" switch a fourth time; the aromatherapy machine works in a 4-hour timer mode, with the "4 hours timing signals" lights.
5. Press "MIST/TIME" switch a fifth time; the aromatherapy machine stop working.

LIGHT SWITCH

1. When the aromatherapy machine starts working, the light will change into an automatic colorful cycle mode.
2. When the light is in the process of circulation, pressing the "LIGHT" switch will set the system to the current light color.
3. Press the "LIGHT" switch again to choose your lighting; you can then press the switch to change to a color you want each time (with seven kinds of color; each color has two levels).
4. After browsing all colors, press the "LIGHT" switch again to close the light.
5. Press the "LIGHT" switch again to return to seven color automatic cycle mode.

Using Steps

1. Open the cover in the direction shown by the arrow



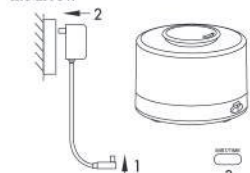
2. Add water to the atomizing chamber



3. Close the cover in the direction



4. Connect the power supply shown by the arrow



How to add aromatherapy oil:

Turn off the power supply, remove the cover, and add the aromatherapy oil you choose to the atomizing chamber, then add a suitable amount of water. Close the cover and turn on the power supply.

Note:

When adding water, use the scale mark to add the right amount of water to the tank. If the amount of added water is over or under the highest scale, there will be less or more mist sprayed out. Do not dump the host in use, and keep it far away from places children can access.

Note:

If there is too much water on the first time of adding it, there will be less steam; after water reduction, there will be more steam.

Product maintenance

1. Close the function switch and the power supply.
2. Remove the cover and pour out the water in the atomizing chamber from the annotation "MAX" position of direction.
3. Wipe the host shell and water tank inside the cavity with a soft cotton cloth.
4. Wipe gently with cotton buds the center of the tank oscillator. This is suggested once every 7 to 14 days.

Common faults

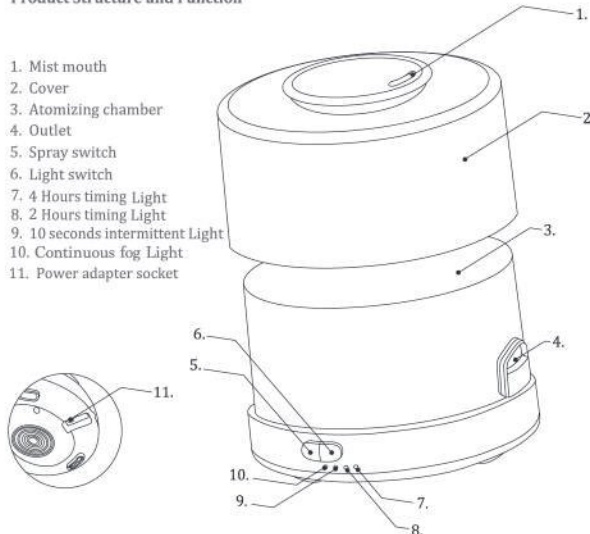
Faults	Cause	Processing method
	No power	Connect the power supply, press the "MIST/TIME" switch
	Not enough water	Add water to the atomizing chamber
No steam	Too much water	Pour out water from the atomizing chamber
	Oscillator is covered by scale	Clean the scale on the oscillator
	Cover or water retaining cover out of the fog on membrane or other foreign bodies covered	Stick to cotton cleaning and keeping clean

Use requirements

1. This product is suitable for use with clean water or pure water; it is not suitable for use with corrosive liquid.
2. If the product is not carefully operated, the water may leak into the host internally. If so, please unplug the power supply immediately, pour out the water, clean the body and let stand for about 3 days in a ventilated place. Let it dry naturally after use. If there is any other abnormal occurrence, please contact your local dealer or contact us directly.

Product Structure and Function

1. Mist mouth
2. Cover
3. Atomizing chamber
4. Outlet
5. Spray switch
6. Light switch
7. 4 Hours timing Light
8. 2 Hours timing Light
9. 10 seconds intermittent Light
10. Continuous fog Light
11. Power adapter socket



This aroma diffuser combines modern science and technology and a simple novel design. The principle is to use ultrasonic vibration plant aromatherapy essential oil and water and spray superfine particles with 5 microns, creating a large number of negative ions, which is more likely to be inhaled by the human body. This provides access to the essence of natural aromatherapy's effect, which helps you relax in a stressful work environment, release healthy nerves, and increase the skin's moisturizing effect.

Warm prompt: The effect is best when used in the bedroom, with the use of aromatherapy oil, which can effectively improve sleep quality.

Specifications:

- Model: 24V
- Color: White
- Input voltage: AC100-240V 50/60Hz
- Out voltage :DC24V 0.65A
- Power: 12 W - 14W
- Aerosolized amount: Level 2
- Ultrasonic frequency: 2.4MHz
- Size: 160x160x120mm
- Volume: Max 500ml

- Model: 5V
- Color: White
- Input voltage: AC100-240V 50/60Hz
- Out voltage: DC5V 1.2A
- Power: 4W-5W
- Aerosolized amount: Level 2
- Ultrasonic frequency: 3.0MHz
- Size: 160x160x120mm
- Volume: 400ml

CE RoHS



AROMA
DIFFUSER
LIFE OF LEISURE

INSTRUCTION MANUAL



Be sure to read this manual in order to ensure proper use