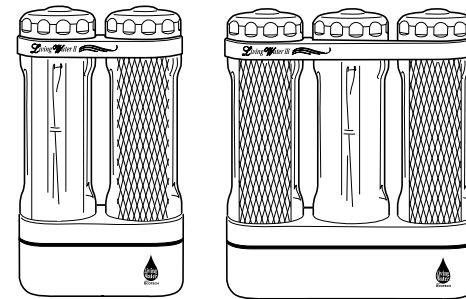


# Living Water

BY ECOQUEST



*Living Water IIs CT  
Countertop*

*Living Water IIIs CT  
Countertop*

## OWNER'S MANUAL

- Restrictions
- Installation
- Operation
- Maintenance
- Changing the Filters
- Changing the UV Lamp
- Specifications
- Warranty

---

## ADVANCED WATER TREATMENT SYSTEMS

---



EcoQuest International  
[www.ecoquest.com](http://www.ecoquest.com)

(888)664-1812



**LISTED**  
Water Treatment System  
18JE

**CAUTION:** read manual carefully for proper procedures and operation.

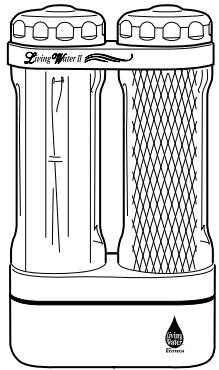
UV Lamp  
Item #US70015

Post-Filter  
Item #US50704

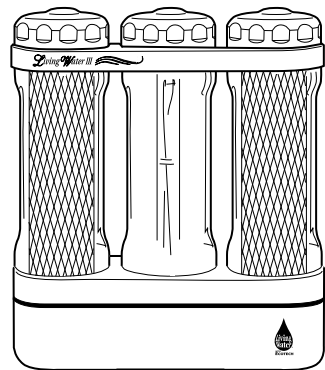
Pre-Filter  
Item #US50705

UV Lamp  
Item #US70015

Post-Filter  
Item #US50704



LW IIs



LW IIIs

Thank you for your purchase of the EcoQuest Living Water Advanced Water Treatment System. This system has been designed to provide you with years of trouble-free operation and thousands of gallons of safer, great-tasting water with a minimal amount of maintenance.

## Product Registration Card

Please send in your EcoQuest product registration card to:

**EcoQuest International, 310 T. Elmer Cox Drive, Greeneville, TN 37743.**

Proper registration will serve as proof of purchase in the event your original receipt is misplaced or lost.

If you have any questions regarding the installation and operation of your Living Water or you require service, please contact your local authorized EcoQuest Business Owner or call EcoQuest at 800.989.2299.

## Use Restrictions

A minimum water pressure of 15 psi is required to operate the Living Water Unit (45 – 60 psi is recommended).

**CAUTION: Do not drink water from the Living Water if the UV Lamp does not activate or when there is no electricity.**

In addition, the Living Water is not designed to process warm or hot water. Allow only cold or ambient temperature to flow through the system.

Do not use with water that is microbiologically unsafe or of unknown quality without adequate disinfection before or after the system.

System and installation must comply with local state regulations.

## Installation of Countertop Models (CT)

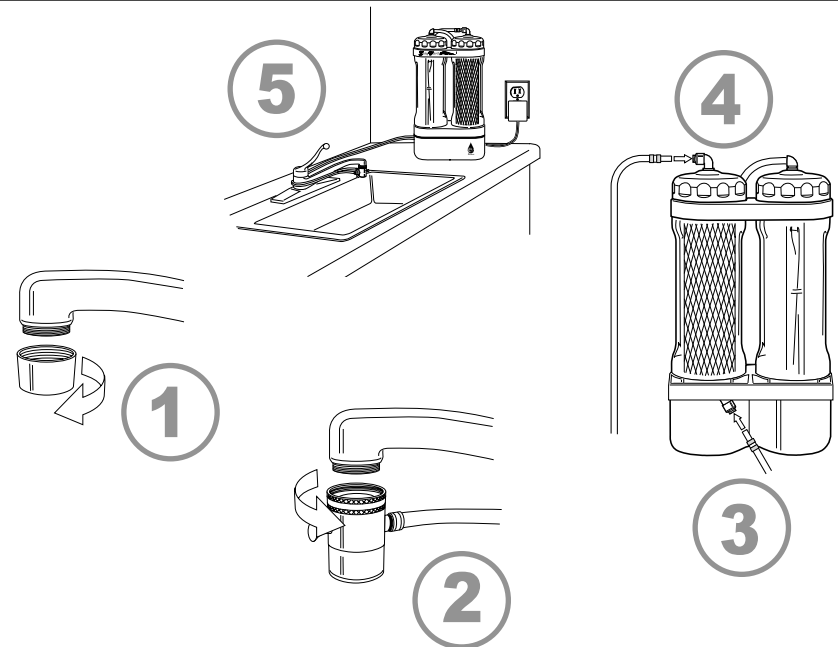
Living Water IIsCT, and IIIsCT all come ready to install to most faucets. Installation takes just a few minutes and requires a pair of pliers.

**NOTE: The unit must be installed vertically (not horizontal)**

**WARNING: Remove protective packaging from inside the UV lamp housing before operation.**

1. Remove the existing aerator and gasket from the faucet. If the threads on the hose assembly do not match your faucet's threads, use the included adapter or obtain one from your local hardware store.
2. Thread the hose assembly onto the faucet.
3. Connect the shorter tubing of the diverter assembly to the inlet of the system by simply pushing the metal tube into the lower fitting (located at the rear of the unit, towards the bottom) until you hear a click.
4. Connect the longer tubing to the outlet of the system by pushing the metal tube into the top fitting (located in the cap of the post-filter chamber) until you hear a click.
5. Place hoses as shown and plug the power supply into a nearby receptacle.

**IMPORTANT: Do not plug your Living Water unit into an outlet that can be turned off with a switch, such as an outlet for a garbage disposal.**

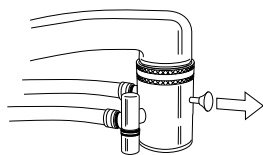


## Operation

Your new Living Water system has been designed to be exceptionally simple to use. Be sure to read and follow all instructions before operating.

**IMPORTANT:** Before using your new Living Water system, allow the water to flow through the system for at least five (5) minutes. Do not drink the water coming from the system during this initial startup.

1. To operate the Living Water simply turn on the cold water and pull the small pin outward. This will direct water through the system and return the treated water out of the small spigot. Once the filter chambers are filled, the UV lamp will activate automatically and water will flow from the bottom to the top of the system in a swirling action.



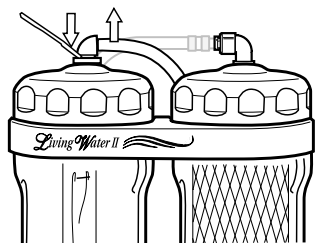
**CAUTION:** If the water flows from the top of the system to the bottom, the hose connections are reversed. See page 2 for correct hose installation instructions.

**IMPORTANT:** If the diverter pin does not remain in the "out" position by itself, or the UV lamp does not activate, there is not sufficient water pressure (minimum of 15 psi) to operate the system.

2. If this is the first time you are using your new system, or you have performed maintenance, see INITIAL STARTUP above. Otherwise you can begin enjoying great-tasting Living Water immediately.

Note: You can maximize the life of the UV lamp and reduce maintenance cost by filling one-gallon containers or large pitchers with treated water and storing them in the refrigerator for use.

## Maintenance: Removing the Filter Cap(s)



Maintaining your Living Water will require the removal of the filter chamber caps. To remove a cap, disconnect the tubing by pressing down on the connector collar using the included tool while pulling up on the tubing. Once the tubing is disconnected, unscrew the cap and remove.

## Filter Maintenance

The filter cartridges in the Living Water require periodic replacement for peak performance.

**CAUTION:** Use only replacement filters provided by your Living Water distributor. Contact your EcoQuest Business Owner for replacement filters.

The pre-filter (Living Water III only - see page 1) should be replaced when it appears dirty and/or the normal flow of water through the system has decreased.

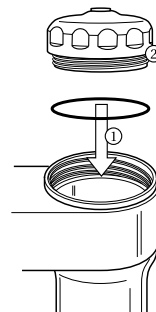
The post-filter should be replaced when one or more of the following occur:

- The filter has been in service for one year.
- The filter has processed more than 1000 gallons of water.
- The system has not been activated for more than two weeks.
- There is a noticeable decrease in water flow.

## Changing the Filters

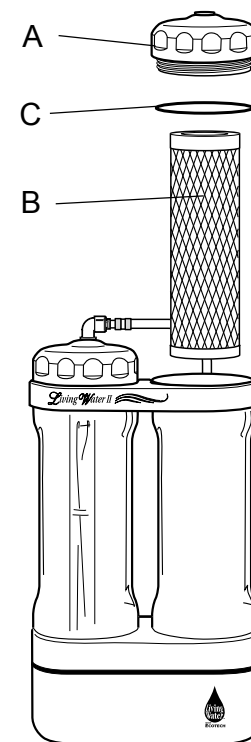
**CAUTION:** Unplug the system to prevent electrical shock and potential exposure to UV light.

1. Remove the filter chamber cap (see page 3).
2. Remove the filter (B) and discard.
3. Install the new filter (B).
4. Replace the top cap (A) making sure the blue o-ring (C) is seated properly in the chamber when the cap is tightened.



5. Reconnect the tubing by reinserting the connector into the collar. Press down on the tubing until the connector is seated properly.
6. Plug in the power supply, turn on the system and allow water to flow through the new filter for a minimum of five (5) minutes before drinking the water.

Please Note: If your Living Water unit develops leakage around the top cap, simply remove the cap, reseal the blue o-ring (C), and carefully replace the cap (see step 4 above).

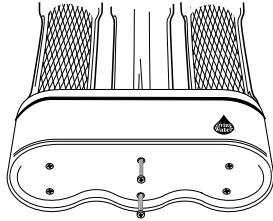


## Changing the UV Lamp

It is recommended that you contact your authorized Living Water distributor to replace the UV lamp when it is no longer working, or every two years.

**WARNING: To prevent electrical shock, unplug the power supply from the electrical outlet. DO NOT PROCEED BEFORE MAKING SURE THERE IS NO ELECTRICITY GOING TO THE SYSTEM.**

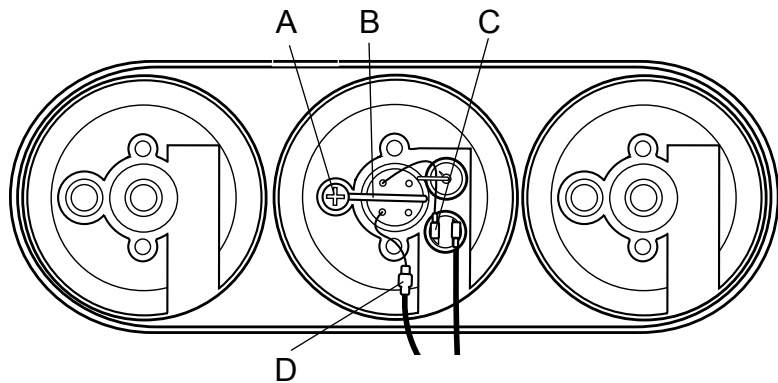
1. Disconnect the tubing from the top and bottom of the system. Remove the unit from the wall mounts if applicable. Lay the system down horizontally.
2. Using a Phillips head screwdriver, remove the four (LWII) or six (LWIII) screws located on the bottom of the unit.
3. Slide the bottom cup off the unit.
4. Remove the screw (A) and the retainer wire (B)
5. Disconnect the two wire connectors (C) and (D) coming from the lamp and gently slide the lamp out of the system.
6. Carefully slide the replacement UV lamp into the system holding it by the ceramic base only. Reconnect the two wire connectors (C) and (D).



**NOTE: Touching the glass portion of the bulb will leave an oil deposit and may cause the bulb to fail prematurely. If you should inadvertently touch the glass, clean the entire bulb surface using denatured alcohol before installing.**

7. Reinstall the retainer wire (B) back into its original position and tighten screw (A).
8. Replace the bottom cup and secure with screws.
9. Remount the system, reconnect the tubing and plug in the power adapter.

If the lamp does not illuminate, contact your authorized EcoQuest Business Owner. Do not use the system until the lamp is functioning properly. If you do not have an EcoQuest Business Owner, contact EcoQuest directly at 800.989.2299.



## Specifications

### Living Water II

Flow Rate . . . . .	1/2 gallon/minute (2 Liters/minute)
Min. Operating Pressure . . . . .	15 psi (105kPa)
Max. Operating Pressure . . . . .	100 psi (609kPa)
Water Temp. . . . .	40 – 100 F (5 – 38 C)
Electrical Requirements . . . . .	20 watts, 50 – 60 Hz, 110 or 230 volts
Filter . . . . .	Activated Carbon Block with lead Adsorbent media
Particulate Reduction . . . . .	0.5 micron nominal
Filter Life . . . . .	1 year or 1000 gallons (4,000 Liters)
Chemical Additives . . . . .	None
UV Lamp Life . . . . .	10,000+ on/off cycles (approx. 2 years)
Dimensions . . . . .	7.5 x 13 x 4 in. (19 x 33 x 10 cm)
Dry Weight . . . . .	6 lbs. (2.75 kg)

### Living Water III

Same as above except

Dimensions . . . . .	11 x 13 x 4 in. (28 x 33 x 10 cm)
Dry Weight . . . . .	8 lbs. (3.65 kg)

This Class B system conforms to NSF/ANSI 55 for the supplemental bactericidal treatment of disinfected public drinking water or other drinking water which has been tested and deemed acceptable for human consumption by the state or local health agency having jurisdiction. The system is only designed to reduce normally occurring non-pathogenic microorganisms. Class B systems are not intended for disinfection of contaminated water.

System conforms to NSF/ANSI 42 for the specific performance claims as verified and substantiated by test data.