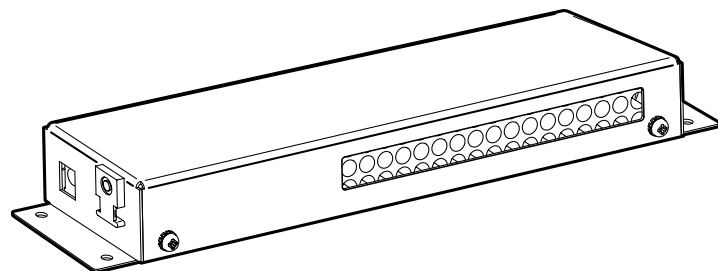


## MAINTENANCE

1. Disconnect the power supply to the activTek INDUCT 500.
2. Remove unit from PTAC unit.
3. Wipe activTek INDUCT 500 with a damp cloth.
4. Use a vacuum with hose to clean the ActivePure matrix on either side of the activTek INDUCT 500.
5. When activTek INDUCT 500 is free from moisture, return unit to PTAC and plug power supply back into outlet.



## FCC DECLARATION OF CONFORMITY

Name: activTek Environmental

Model: activTek INDUCT 500

This device complies with Part 18 of the FCC Rules.

### RESPONSIBLE PARTY



activTek Environmental  
310 T. Elmer Cox Drive  
Greeneville, TN 37743

Signature:

Printed Name: David Blackwell

Title: Engineering Manager

Date: 12/20/06

This equipment has been tested and found to comply with the limits for Industrial, Scientific, and Medical Equipment (ISM), pursuant to Part 18 of the FCC Rules. These limits are designed to provide reasonable protection against harmful interference in a residential installation. This equipment generates, uses, and can radiate radio frequency energy, and if not installed and used in accordance with the instructions, may cause harmful interference to radio communications. However, there is no guarantee that interference will not occur in a particular installation. If this equipment does cause harmful interference to radio or television, which can be determined by turning the equipment off and on, the user is encouraged to try to correct the interference by one or more of the following measures:

Reorient or relocate the receiving antenna.

Increase the separation between the equipment and receiver.

Connect the equipment into an outlet on a circuit different from that to which the receiver is connected.

Consult the Distributor or an experienced radio/TV technician for help.

### Did you forget to register your activTek INDUCT 500 with activTek Environmental?

By registering, you'll activate your warranty, and your privacy is guaranteed. Just fill out your warranty card and drop it in the mail.

### WARRANTY INFORMATION

This product is of solid state construction and is warrantied by

activTek Environmental, 310 T. Elmer Cox Drive, Greeneville, TN 37743

to the original purchaser, depending on model, to be free from defect in materials and workmanship for a limited time.

Length of warranty will vary depending on model. See warranty card for specific details.

If you have any questions concerning your activTek INDUCT 500, please see your local activTek Environmental Distributor.

For help, visit [www.activTek.net](http://www.activTek.net).



310 T. Elmer Cox Drive  
Greeneville, TN 37743

65-00222-001R  
IN\_500\_OM\_65-00247-001R\_0707



## SECURE AIR PURIFICATION SYSTEM

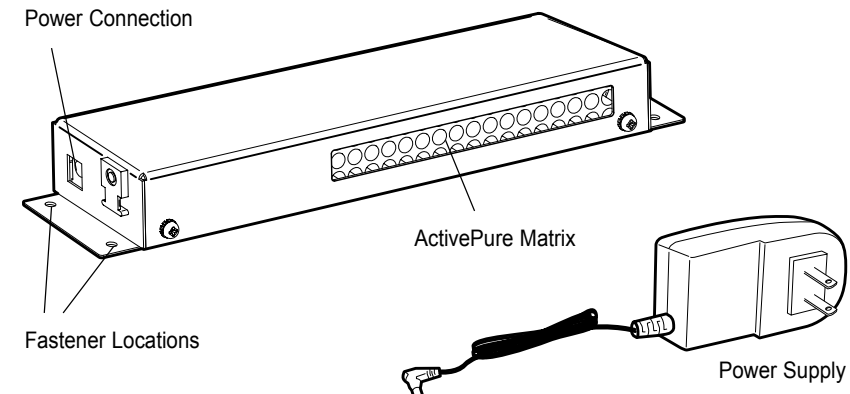
### PRINCIPLES OF OPERATION

When the activTek INDUCT 500 is in operation, the ActivePure Cell (Advanced Oxidation System) is designed to reduce odors and other contaminants.

The ActivePure cell has the added benefit of producing safe, low levels of ozone as a byproduct of the ActivePure Cell. This low level ozone further improves the air as it travels through the unit.

### INSPECTION

1. Remove unit from shipping carton.
2. Remove all protective materials.
3. Check for loose or broken parts due to shipping damage.
4. Read owner's manual thoroughly prior to installation.
5. Determine placement location for the unit, follow installation instructions in this owner's manual.



Please record the name and phone of your activTek Environmental Distributor:

Name \_\_\_\_\_

Phone \_\_\_\_\_

Please record the serial number of your activTek INDUCT 500:

Serial # \_\_\_\_\_



**WARNING!** - UV Lamp operation. Do not operate unless the unit is completely and correctly assembled. Failure to comply may result in serious eye damage.



**CAUTION!** - For outlet installation only! Never connect to an extension cord or other power source. Improper installation could result in electrical shock or short.

CAUTION: Read and save these instructions for proper procedures and operation.

### SPECIFICATIONS

#### Features:

- ActivePure Cell Technology
- Convenient power cord

#### Electrical:

##### - AC Adapter

- Input: 100 -240VAC, 50/60 Hz, .5 amp
- Output: 15V  $\overline{\text{---}}$ , 1.0A
- 13 watts power consumption

##### - activTek INDUCT 500

- 15V  $\overline{\text{---}}$ , .1A, 5W

#### Size:

- Height: 1.25" (3.175 cm); Width: 2.25" (5.72 cm); Length: 10.38" (28.37 cm)
- Weight: 2.9 pounds (1.3 kg)

#### Coverage:

- Up to 500 sq. ft. (46.5 sq. m)

#### Warranty:

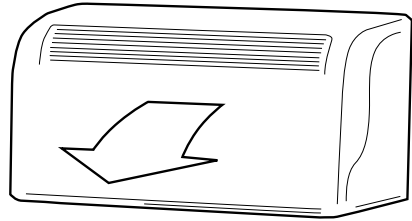
- Length of warranty will vary depending on model.  
See warranty card for specific details.

**Hg - LAMP CONTAINS MERCURY.** Manage in accordance with local laws. See [www.lamprecycle.org](http://www.lamprecycle.org).

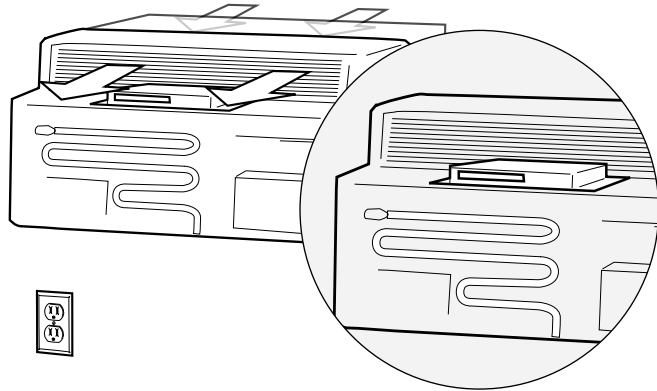
## INSTALLING THE UNIT

**WARNING:** Disconnect power to the AC unit at the breaker or fuse panel before installing unit.

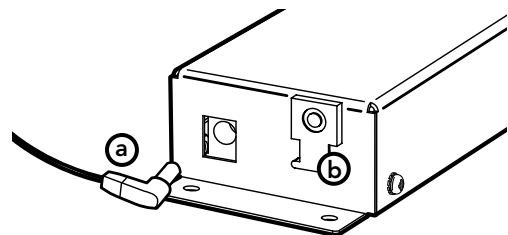
1. Remove cover from PTAC air unit as per the manufacturer's recommended procedure. Refer to your PTAC unit's owner's manual for detailed instructions.



2. Unit placement varies depending on unit. However, the activTek INDUCT 500 should be placed in the direct airflow of the air unit.

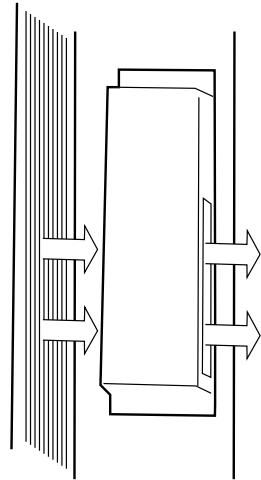


3. Connect the power supply cord by inserting plug into power inlet (a). Spin the cord clip (b) up and place power supply cord under retainer. Return retainer clip to its original position.



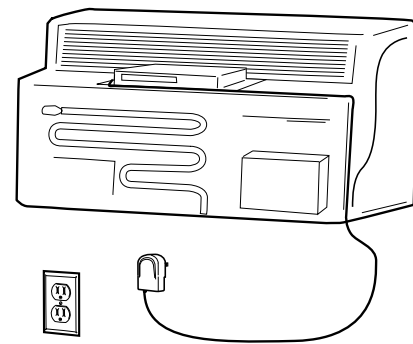
## ACTIVTEK INDUCT 500 PLACEMENT

**Air Flow:**  
activTek INDUCT 500 should be placed in the direct air flow of your PTAC unit. Optimum location will allow air to pass into unit from one side and exit on the opposite side. See diagram.

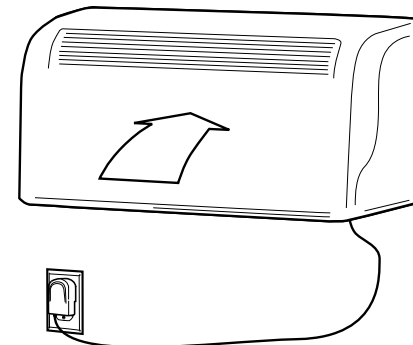


Downward View

4. Run the power cord in an out-of-the-way location toward the electrical outlet.



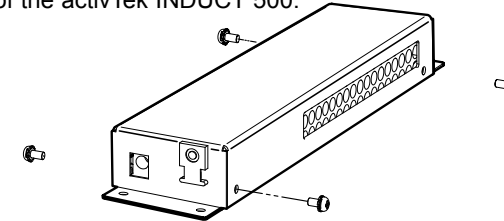
5. Replace cover on PTAC air unit and plug in activTek INDUCT 500.



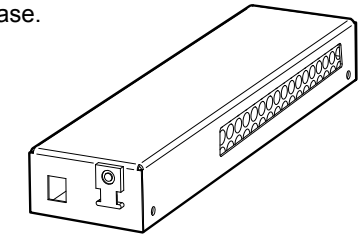
## CHANGING THE UV BULB

**WARNING:** Disconnect Power from the activTek INDUCT 500 before servicing.

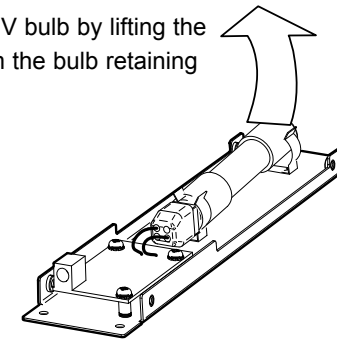
1. Remove the four (4) cover screws from the sides of the activTek INDUCT 500.



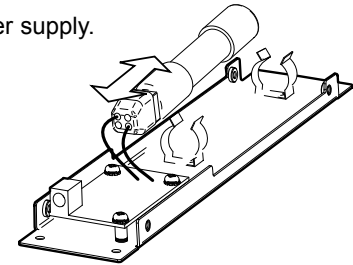
2. Remove the cover by lifting away from the base.



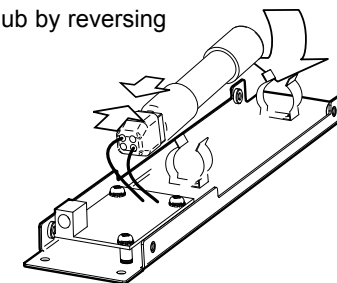
3. Remove the UV bulb by lifting the end away from the bulb retaining clamp.



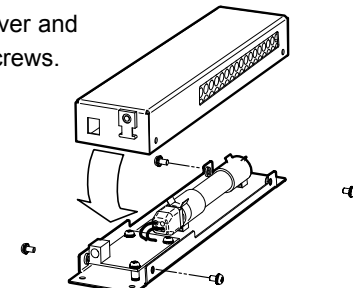
4. Unplug the UV bulb from the power supply.



5. Replace UV bulb by reversing steps 3 and 4.



6. Return cover and replace screws.



## PARTS VIEW

