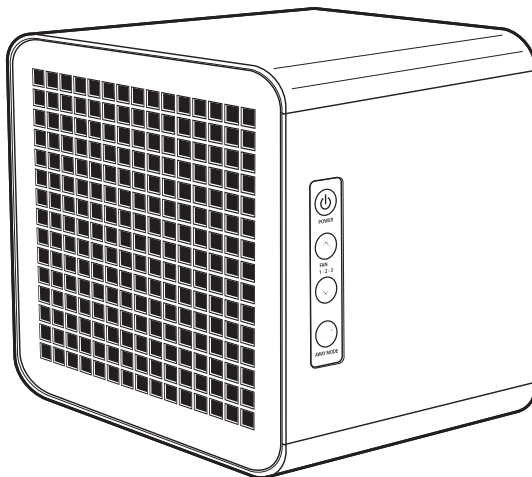


vollara[®]

FRESH AIR CUBE

PURIFIES UP TO 1,500 SQUARE FEET

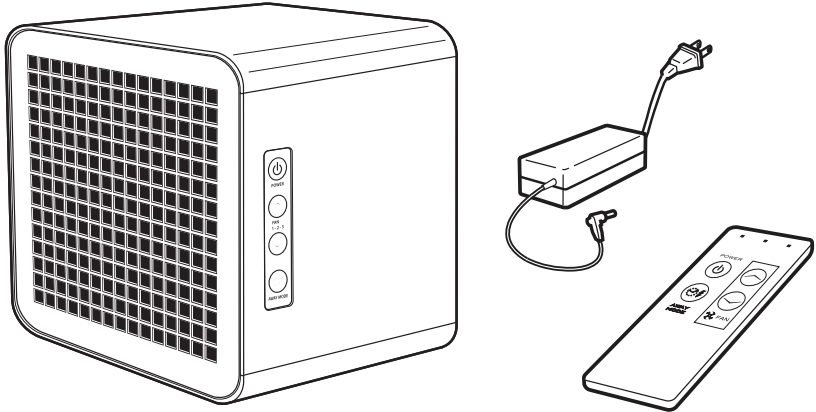


Electronic Air Purifier

READ MANUAL CAREFULLY FOR PROPER PROCEDURES AND OPERATION.

WELCOME

Congratulations on your new FreshAir Cube



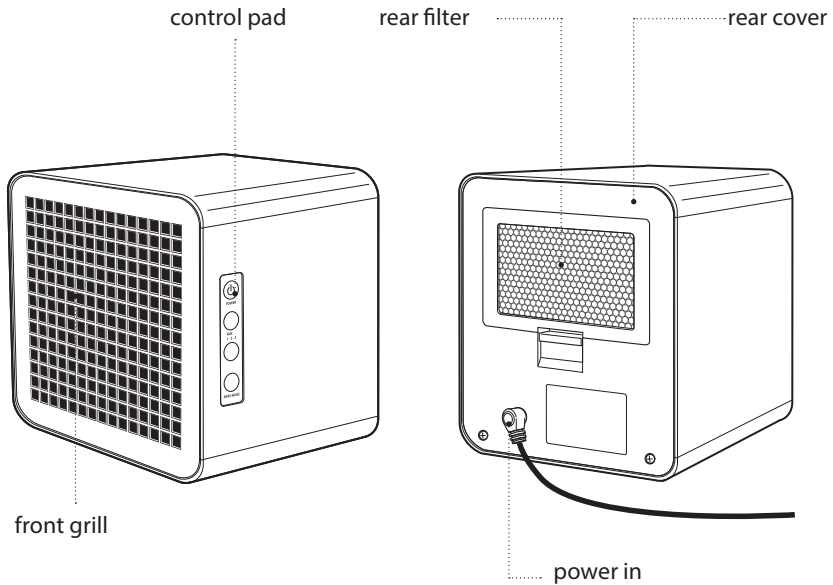
Your FreshAir Cube comes with a detachable power cord (9950099) and remote control (9950100).

Vollara Independent Business Owner Name

Phone Number

INTRODUCTION

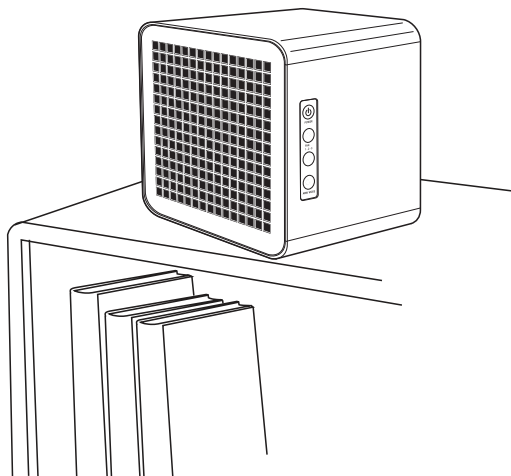
Meet your FreshAir Cube



PLACEMENT

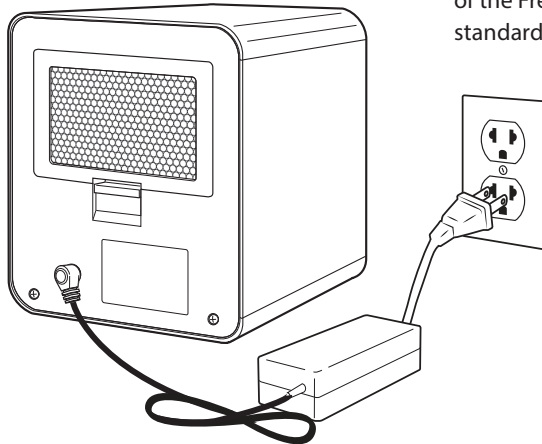
Where to put your FreshAir Cube

For best results, place your FreshAir Cube as high up as possible, with at least 2 inches of clearance on either side. You can also place your FreshAir Cube in trouble areas for extra effectiveness.



CAUTION: Do not operate the FreshAir Cube near heat source, open flames, or combustible vapors or gases.

POWER SUPPLY



Plug power supply into the back of the FreshAir Cube and into a standard wall outlet.

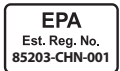
SPECIFICATIONS

Electrical:

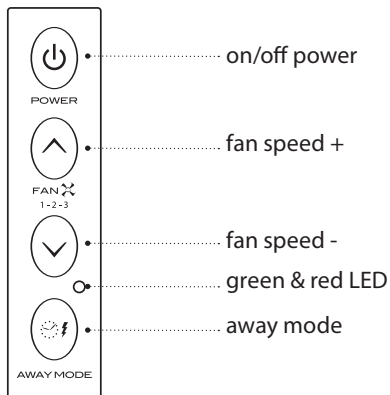
- 100 - 240VAC
- 21 watts power consumption
- 3-speed fan

Size:

- Dimensions:
6.5" wide x 6.5" high x 7" deep
(16.5cm wide x 16.5cm high x 17.8cm deep)
- Weight: 2.99 lbs (1.36 kg)



CONTROL PAD AND LED LIGHTS



The control pad is conveniently located on the right side of your FreshAir Cube

- Red LED solid = Away Mode (returns to Normal Mode after 2 hours or user input is detected, whichever comes first)
- Green LED solid = scalable ozone setting

CONTROL PAD INFORMATION

Operating your FreshAir Cube

Press the POWER button to turn the unit on and off.

Press the FAN buttons to adjust the 3 speed fan.

Push the "AWAY MODE" button once and the unit will go into Away Mode.

Indicator light will be illuminated red.

Push the "AWAY MODE" button a second time and the unit goes into the scalable ozone mode.

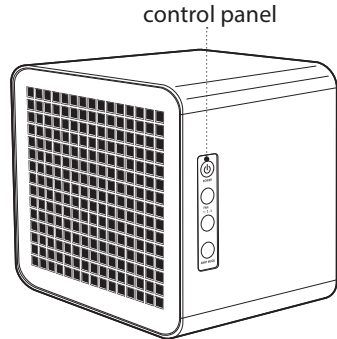
When the unit is in the scalable ozone mode, the indicator light will be illuminated green.

Push the "AWAY MODE" button a second time and the unit goes into the scalable ozone mode.

When the unit is in the scalable ozone mode, the indicator light will be illuminated green.

In the scalable ozone mode, the FreshAir Cube unit will operate in a 20%-on, 80%-off mode, over a one minute total cycle time. This means the unit will continuously cycle the ozone plate on, at maximum output, for 12 seconds and then transition to ozone plate off for 48 seconds ... then repeat.

Push the button again, and the unit will revert to the "Normal" operation mode (ActivePure only).

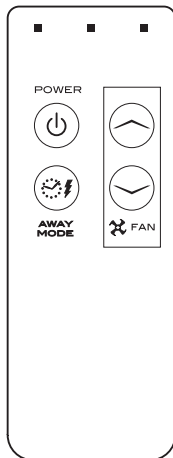


CAUTION: Away Mode is intended for unoccupied spaces only. Please be sure all people and pets have vacated the area when Away Mode is in use.

REMOTE CONTROL

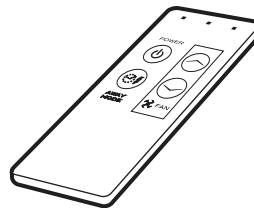
on/off power

Away Mode



..... + fan speed

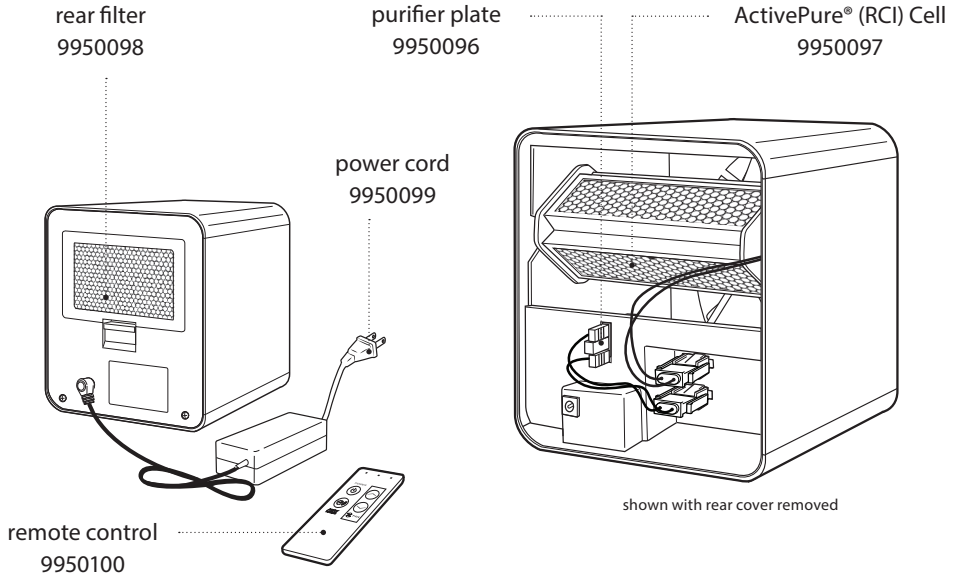
..... - fan speed



The FreshAir Cube remote control gives you the convenience of control from anywhere in the room. Before use, remove paper tab from the bottom of the remote. When replacing battery, choose a 3 Volt lithium cell CR2025.

PARTS

Replacement parts

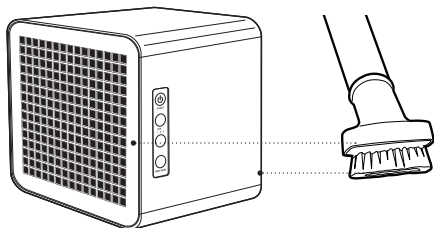


If your unit fails to operate properly or you have questions, contact your Vollar Independent Business Owner for further assistance.

MAINTENANCE

Caring for your FreshAir Cube

	every month	every year	every 3 years	part numbers
clean front grill	●			
clean rear filter	●			9950098
clean purifier plate	●			9950096
replace ActivePure (RCI) Cell		●		9950097
replace purifier plate			●	9950096



Upkeep

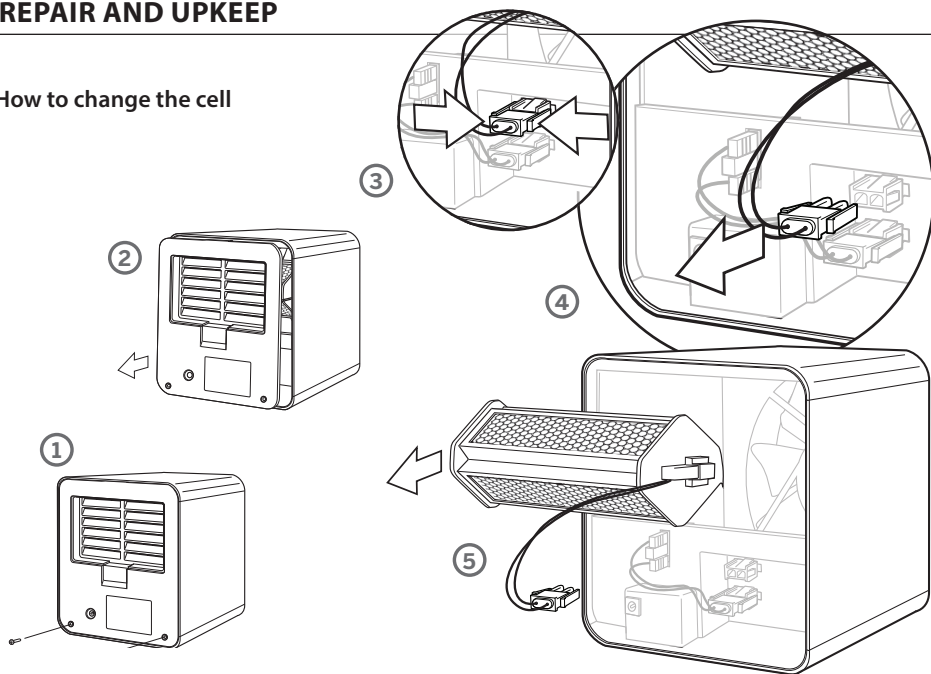
Periodically vacuum or wipe the front grill with a soft towel. You can vacuum or wash the rear filter in warm water and let dry completely before reinstalling (replace if necessary). Wipe down the outside with a damp (not wet) cloth. Reassemble when finished.

NOTE: Improper maintenance or failure to maintain the FreshAir Cube according to these instructions may damage the unit or cause the unit to operate incorrectly.

CAUTION: Always unplug the power cord from the back of your FreshAir Cube before servicing. Removing cover may expose ultraviolet light source. To protect against eye damage, always unplug before servicing.

REPAIR AND UPKEEP

How to change the cell



Unplug unit. (1) Remove the back panel screws and (2) back panel. (3) Press latches and (4) unplug the power connector to the ActivePure® (RCI) Cell.

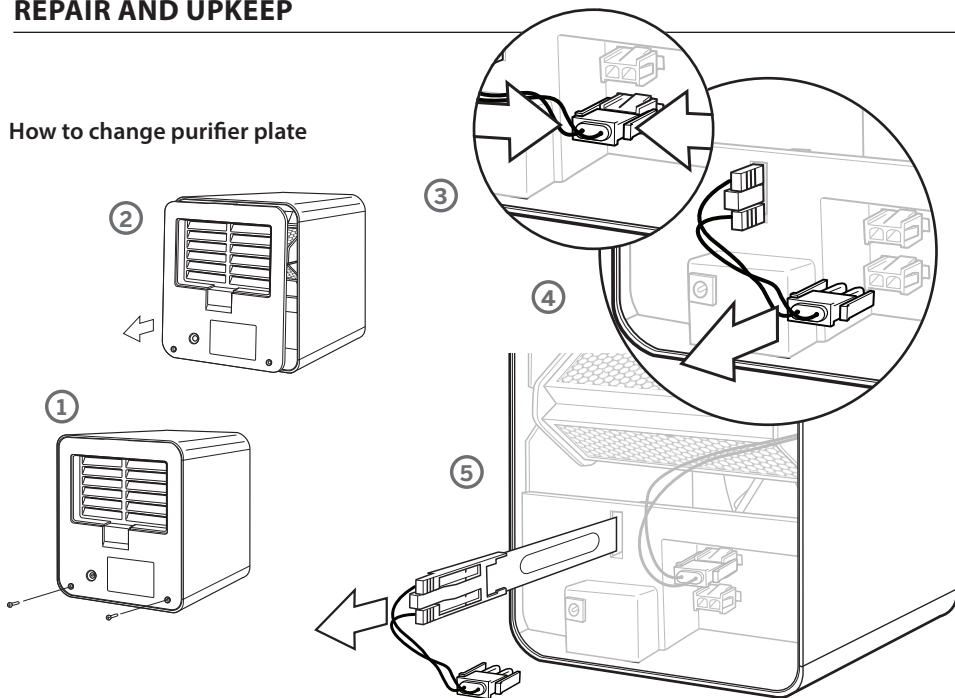
(5) Pull the ActivePure Cell straight out to remove. Reverse order to replace cell.



CAUTION: Always unplug the power cord from the back of your FreshAir Cube before servicing. Removing cover may expose ultraviolet light source. To protect against eye damage, always unplug before servicing.

REPAIR AND UPKEEP

How to change purifier plate

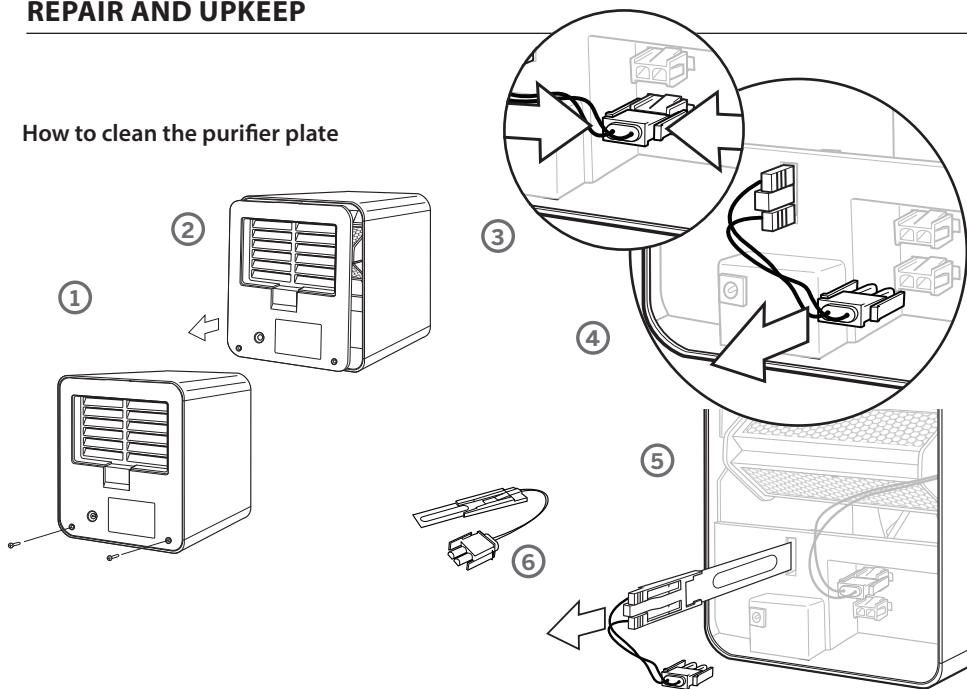


- Unplug unit. (1) Remove the back panel screws and (2) back panel.
(3) Press latches and (4) unplug the power connector to the purifier plate.
(5) Remove the purifier plate from its slot. Reverse order to replace purifier plate.

⚠ CAUTION: Always unplug the power cord from the back of your FreshAir Cube before servicing. Removing cover may expose ultraviolet light source. To protect against eye damage, always unplug before servicing.

REPAIR AND UPKEEP

How to clean the purifier plate



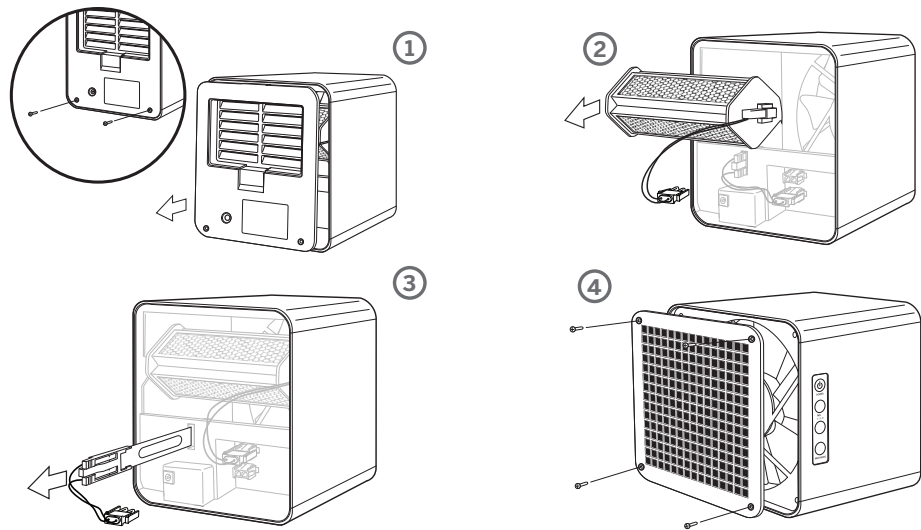
Unplug unit. (1) Remove the back panel screws and (2) back panel. (3 - 5) Remove the purifier plate from its slot. (6) Clean purifier plate by wiping with a cotton swab dipped in denatured alcohol. Allow purifier plate to dry completely before reinstalling.



CAUTION: Always unplug the power cord from the back of your FreshAir Cube before servicing. Removing cover may expose ultraviolet light source. To protect against eye damage, always unplug before servicing.

DEEP CLEANING

How to disassemble your FreshAir Cube for cleaning



Unplug unit. (1) Remove back cover. (2) Remove ActivePure Cell (see page 11).
(3) Remove purifier plate (see page 12). (4) Remove the four front grill screws and the front grill. You can now access the inside of the unit and the fan for cleaning.

⚠ CAUTION: Always unplug the power cord from the back of your FreshAir Cube before servicing. Removing cover may expose ultraviolet light source. To protect against eye damage, always unplug before servicing.

LIMITED ONE (1) YEAR WARRANTY

Customer should not repackage and ship the FreshAir Cube unit due to possibility of irreparable damage. For warranty service, please contact your Independent Distributor or Vollara Customer Service for the address of the nearest service center.

LIMITED ONE (1) YEAR WARRANTY

Customer should not repackage and ship the FreshAir Cube unit due to possibility of irreparable damage. For warranty service, please contact Vollara Customer Service at 800.989.2299, or your Vollara Independent Distributor, for the address of the nearest service center.

WHAT IS COVERED BY THIS WARRANTY

We warrant the FreshAir Cube to the Customer, subject to the conditions below, against defects in workmanship or material, provided that the products are returned to a service location within one (1) year from the date of purchase.

INSTALLATION AND MAINTENANCE REQUIREMENTS

This warranty is expressly conditioned upon proper installation, operation, cleaning and maintenance, all in accordance with the User's Manual. Failure to meet any of these requirements will void this warranty. Servicing of your FreshAir Cube by parties other than our authorized service center and/or using parts other than genuine parts will also void this warranty.

HOW TO OBTAIN WARRANTY SERVICE

Customer must contact Vollara Customer Service and provide proof of purchase within the above time period. We will repair or replace and return the product, without charge and within a reasonable period of time, subject to the conditions herein, if its examination shall disclose any part to be defective in workmanship or material. If we, in our discretion, are unable to repair the product after a reasonable number of attempts, we will provide either a refund of the purchase price or a replacement unit, at the company's option.

WHAT IS NOT COVERED BY THIS WARRANTY

This product is intended for household use only. Ordinary wear and tear shall not be considered a defect in workmanship or material. These warranties do not apply to filters nor for loss or damage caused by accident, fire, abuse, misuse, improper installation, leaking, modification, misapplication, commercial use or by any repairs other than those provided by our authorized Service Center. This warranty is non-transferable.

MISSING SERIAL NUMBERS & UNAUTHORIZED CHANNELS

If a valid serial number is missing from the product, the warranty will be voided. Vollara products are authorized for sale through Vollara Independent Distributors only. Warranties are voided if a product is purchased through unauthorized channels. This includes websites that are not authorized to use Vollara's trademarked names, images and logos as well as Internet auction sites (e.g. ebay and Craigslist). The only approved Internet presence for Vollara products is www.vollara.com. To confirm warranty coverage prior to purchasing a product, contact Vollara at 800.989.2299 with the serial number located on the back of the unit.

EXCLUSION OF OTHER WARRANTIES & CONDITIONS

EXCEPT AS PROVIDED HEREIN, WE MAKE NO REPRESENTATION OR WARRANTY OF ANY KIND. ALL OTHER WARRANTIES OF ANY KIND, EXPRESS OR IMPLIED, ARE HEREBY EXPRESSLY DISCLAIMED, INCLUDING ANY IMPLIED WARRANTY OF MERCHANTABILITY OR FITNESS FOR A PARTICULAR PURPOSE.

LIMITATION OF LIABILITY FOR SPECIAL, INCIDENTAL, OR CONSEQUENTIAL DAMAGES

WE SHALL NOT IN ANY CASE BE LIABLE FOR SPECIAL, INCIDENTAL OR CONSEQUENTIAL DAMAGES ARISING FROM BREACH OF EXPRESSED OR IMPLIED WARRANTIES, CONDITIONS, GUARANTEES OR REPRESENTATIONS, BREACH OF CONTRACT, NEGLIGENCE OR ANY OTHER LEGAL THEORY. Such excluded damages include, but are not limited to, loss of profits or revenue, and loss of the use of the products, and any loss caused by leaks or other water damage. This warranty is provided by:

Vollara, LLC
300 East Valley Drive
Bristol, VA 24201.

SERVICE

Every effort is made to ensure customers receive an up-to-date instructions manual on the use of our products; however, from time to time, modifications to our products may without notice make the information contained herein subject to alteration. For the latest information, please visit our website.

FCC DECLARATION OF CONFORMITY

Name: Vollara, LLC

Model: FreshAir Cube

This device complies with
Part 18 of the FCC Rules.

RESPONSIBLE PARTY

Signature: 

Printed Name: Andy Eide

Title: Vice President, Product
Development & Manufacturing

Date: 10/15/2018



Vollara, LLC
300 East Valley Drive
Bristol, VA 24201

65-00733 VA-01268

© 2018 Vollara, LLC. All Rights Reserved.

FAC_OM_65-00733_VA-01268_1018

This equipment has been tested and found to comply with the limits for Industrial, Scientific, and Medical Equipment (ISM), pursuant to Part 18 of the FCC Rules. These limits are designed to provide reasonable protection against harmful interference in a residential installation. This equipment generates, uses, and can radiate radio frequency energy, and if not installed and used in accordance with the instructions, may cause harmful interference to radio communications. However, there is no guarantee that interference will not occur in a particular installation. If this equipment does cause harmful interference to radio or television, which can be determined by turning the equipment off and on, the user is encouraged to try to correct the interference by one or more of the following measures: Reorient or relocate the receiving antenna. Increase the separation between the equipment and receiver. Connect the equipment into an outlet on a circuit different from that to which the receiver is connected. Consult the Distributor or an experienced radio/TV technician for help.