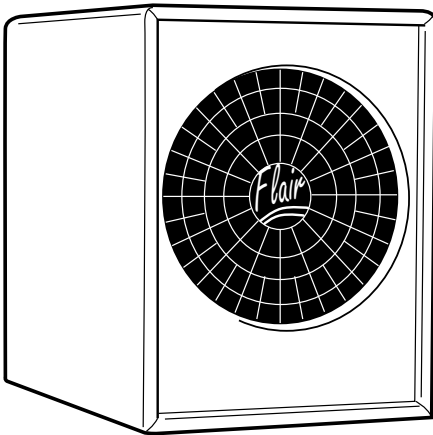


Flair™



OWNER'S MANUAL

- Application
- Noteable Features
- Specifications
- Installation
- Operation
- Maintenance
- Warranty

Living Air Electronic Air Purification Systems

100, 110, 220/240 volt Flair™ Systems

EcoQuest International®

310 T. Elmer Cox Drive • Greeneville, TN 37743 • (888)664-1812

www.EcoQuest.company

CAUTION: read manual carefully for proper procedures and operation.

CONTENTS

Applications	3
Notable Features	3
Model Specifications	3
Principles of Operation	4
Pre-Installation / Inspection	4
SynAirG™ purification plate/Lint Screen Install	5
Placing the Unit	6
Setting / Adjusting Controls	7
Maintenance	8
Troubleshooting	9-11
Warranty	12

Please record the serial number of your Flair:

Serial # _____

Please record the name and phone of your EcoQuest Dealer:

Name _____

Phone _____



CAUTION! - Disconnect power cord before servicing.
100, 110 volt models - use 1.0 Amp slow blow fuse.
220/240 volt models - use 0.5 Amp slow blow fuse

To reduce the risk of electric shock, this equipment has a grounding type plug that has a third (grounding) pin. This plug will only fit into a grounding type power outlet. If the plug does not fit into the outlet, contact qualified personnel to install the proper outlet. Do not alter the plug in any way.



Location for Protective Earth Line.

CAUTION: Do not operate unit without one or both SynAirG™ purification plate(s) properly installed. Doing so may void your warranty.

Applications

Eliminate

- Smoke
- Odors
- Tobacco Smoke

Plus it works as an appliance to Sanitize an area to Reduce

- Mold
- Mildew
- Bacteria

Notable Features

- Compact
- Portable
- No Duct Work Required
- No Chemicals
- Low Maintenance
- Low Electrical Use
- Complete User Control
- No Residual Contamination
- Plugs into 100, 110 (220 - 240) volt outlet

Flair Specifications

- Positive/Negative Ion Generation Technology
- Ozone Generation

Features:

- Adjustable Fan Speed Control
- Sanitization Function/Button
- Adjustable Ozone Control
- Balanced Ion Production

Electrical:

- 100 50/60
- 110 volt 60hz AC line operation (Flair 110 volt)
- 220 volt 50hz AC line operation (Flair 220 volt)
- 240 volt 50hz AC line operation (Flair 240 volt)
- 30 watts power consumption
- 24 to 30 KV, 20-30 Khz ion generation pulsator
- Fixed 6 KV DC needle ion generator

Mechanical:

- 400 CFM fan

Size:

- Height: 9.5"; Width: 7.5"; Depth: 9.75"
- Weight: 10.6 pounds

Ozone Output:

- 0-320 mg per hour

Warranty:

- Length of warranty will vary depending on model.
- See warranty card for specific details.

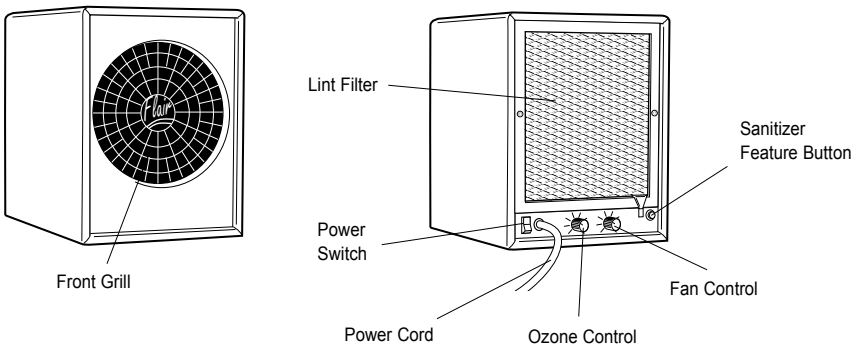
PRINCIPLES OF OPERATION

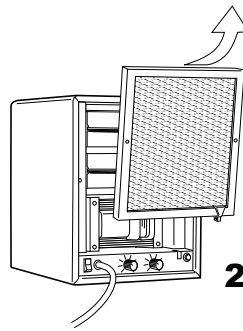
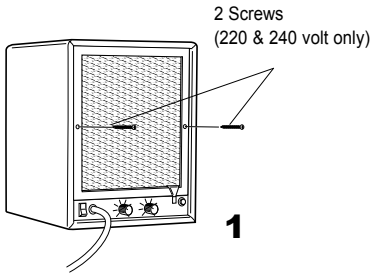
Nature cleanses the air with the lightning and rain. Lightning bolts produce ozone, as well as positive and negative ions which cleanse the air naturally. Rain helps bring the ozone and ions closer to the earth's surface. They are then attracted to atmospheric contaminants that are either removed from the air and attached to grounded objects or are oxidized.

The Flair reproduces the natural conditions found in the outdoors. It is not designed to create an artificial environment. The re-establishment of a natural environment takes place out in the air, rather than inside the unit. It cleanses the air, rather than filtering it, masking the symptoms, or attempting to dilute it. The Flair also has a mode that will effectively sanitize an unoccupied area.

PRE-INSTALLATION AND INSPECTION

1. Remove unit from shipping carton
2. Remove all protective materials
3. Check for shipping damage and loose or broken parts
4. Read Owners Manual thoroughly prior to installation
5. Remove plates from the box and install plates - See "SynAirG™ Purification Plate Installation" page 5 (220/240 volt models, skip to step 3)
6. OPTIONAL: Plug the unit into a proper outlet for your voltage (100, 110, 220/240 volt), place in shipping box with unit on and purifier knob set to maximum for at least one hour to remove traces of manufacturing odor.
7. Determine placement location for the unit, plug the unit into a proper outlet for your voltage (100, 110, 220/240 volt) and adjust controls according to the application. (See "Placement of Unit" Page 6 and "Setting Unit Controls" Page 7)

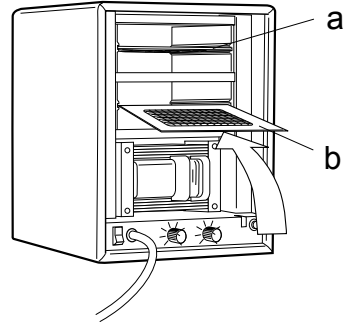




SYNAIRG™ PURIFICATION PLATE INSTALLATION

The Flair utilizes two SynAirG™ purification plates.

1. Remove (2) phillips-head screws.
(220/240 volt only)
2. Remove the rear lint screen.
3. Fully insert the SynAirG™ purification plates (A & B) between the guides until they stop.
4. Re-install lint screen as shown below.



NOTE: *The Flair's SynAirG™ purification plates should only be used in the Flair system.*

CAUTION: *Do not operate unit without one or both SynAirG™ purification plate(s) properly installed. Doing so may void your warranty.*

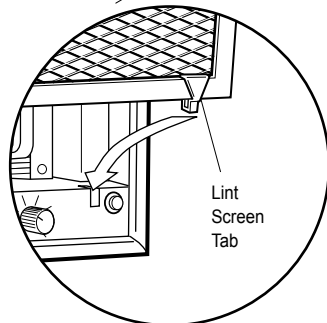
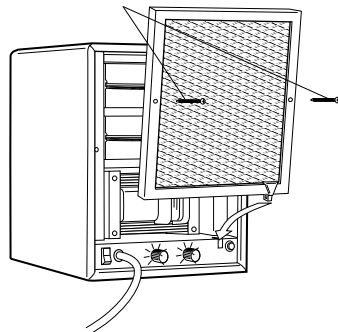
LINT SCREEN INSTALLATION

1. Always install bottom of lint screen first.
2. The white lint screen tab should depress the safety switch arm towards the bottom of the unit.

Unit will not operate if safety switch is not depressed.

3. Fit top of lint screen into cabinet.
4. Secure with (2) phillips-head screws.
(220/240 volt only)

2 Screws
(220 & 240 volt only)

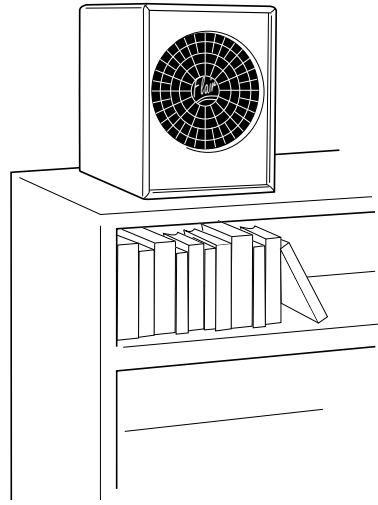


PLACING THE UNIT

Place the unit as high as possible for maximum effectiveness.

(On top of a bookshelf, high cabinet, etc. An attractive wall-mounted bracket is also available - see figure A)

If raised placement is not available, place unit as high as possible and elevate front of unit so fan blows towards ceiling. Pollutants such as smoke may rise and, when elevated, the unit can oxidize the pollutants more effectively. A ceiling fan can also aid in distribution of cleansing properties.



The Flair is most effective when placed in a position that allows the ions and ozone to be mixed evenly and thoroughly with the polluted air. Suggested locations, listed in the order of preference:

1. Nearest the source of the worst pollution.
2. Near a cold-air return to thoroughly circulate clean air throughout the area.
3. In the area most heavily used to achieve maximum benefit.

Note:

- For maximum control the unit should be placed where easy access to the controls is possible.
- The rear of the unit should always have at least one inch of open area to allow unrestricted airflow.
- **Be sure power cord is not accessible to children to prevent injury.**



Figure A

A Breeze^{AT} on MAC Universal Bracket (fits most Living Air Units including the Flair™) - available by calling EcoQuest MAC @ 800.378.6005

SETTING AND ADJUSTING CONTROLS

1. FAN CONTROL

The disbursement of cleansing properties is best accomplished with good air circulation. The fan control should be set as high as possible without creating an undesirable noise level. This will be determined by personal preference and the distance you wish the cleansing properties to be dispersed.

Note: A ceiling fan can also aid in distribution of cleansing properties.

2. OZONE CONTROL

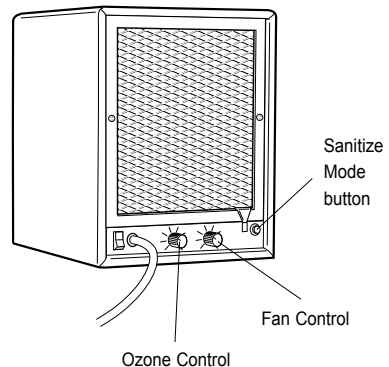
Ozone Control: Set the control at the nine o'clock position for one hour. Adjust the ozone control up or down after one hour based on the following criteria:

1. The numbers around the purifier control are square footage markings that should be matched to the square footage of the environment. Under normal conditions it is not necessary to turn the ozone control indicator above the square footage of the environment.
2. Keeping in mind the previous statement (#1), adjust the purifier so the odor of ozone fades into the background 15-30 seconds after entering the environment.
3. When the control is turned below the 100 square foot setting the ozone will be turned completely off, the fan and ionization will continue to operate normally.

Note: Removing one plate allows more precise control in small areas or in lightly polluted environments.

3. SANITIZING MODE

- Press sanitizing button to start or stop.
- Unit will operate for two hours at the maximum ozone output and then return to the output that matches the purifier setting.
- To interrupt sanitize mode before the end of the two hour period, turn the power off for 10 seconds and then turn power back on.



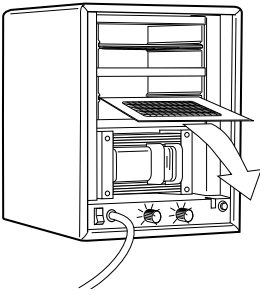
MAINTENANCE

Periodic maintenance is required to insure that the Flair operates properly. A severely polluted environment can foul an SynAirG™ purification plate in as little as two weeks or as long as a year. Shown here are basic maintenance procedures that should be carried out to keep your unit running at top performance.

Rear lint-screen filter cleaning:

You have two options to clean the lint screen:

- When visibly dirty, simply remove the lint screen and with a hand-held vacuum remove the heavy particulate from the screen. This method will extend the life of the filter. - OR -
- When visibly dirty, remove the lint screen from the back of the unit and wash in hot water, brushing gently with a toothbrush to remove particulate. Allow to dry prior to re-installing the lint screen.

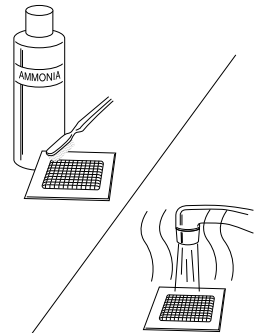


Purification plate:

Carefully remove the SynAirG™ purification plate(s) from the card cage by grasping the middle of the edge nearest to you, and slowly pull it straight out.

If you are in an environment where there are fats, oils

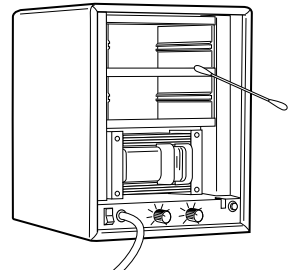
or grease, such as in a kitchen, start with cleaning with denatured alcohol and a soft bristle brush. This will cut the grease without leaving a residue.



For all applications - Clean with ammonia to remove contaminants. Put the plate(s) into a shallow dish and pour enough ammonia into the dish to just cover plate(s). Allow the plate(s) to soak for 10-20 minutes. Remove and scrub with a soft bristle brush. Rinse thoroughly. **Let air dry** for 24 hours or use a blow dryer to **dry thoroughly**.

Plate Card Cage:

Also be sure to clean the white stand-offs at the corners of the SynAirG™ purification plate card cage. (A cotton swab with alcohol works well.)



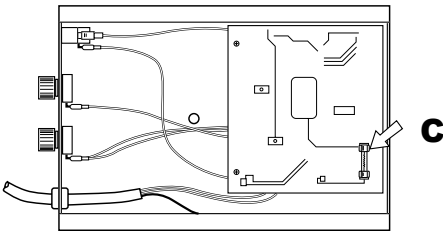
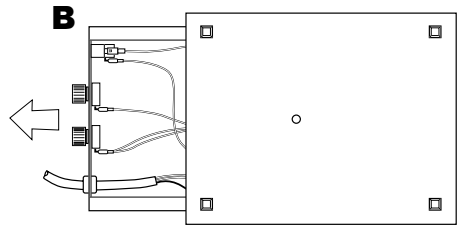
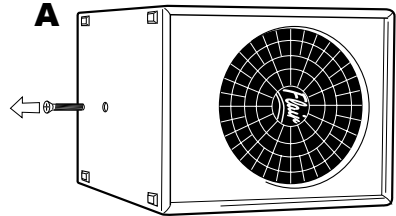
Fan Blade and Front Grill:

Wipe off fan blade (see "Removing Chassis" on page 9) and front grill (if dirty) with damp washcloth. The fan requires no maintenance (with the exception of the first time it is used, when it may be necessary to give it a gentle push to get it started). If the fan squeaks, a drop of lightweight oil may be needed on the fan shaft.

Removing the Chassis & Changing the Fuse:

CAUTION: *Unplug unit from AC outlet*

- A) Remove the chassis from the cabinet by first removing the screw on the bottom of the cabinet.
- B) Slide the chassis out and place it on its side.
- C) The fuse holder is located on the right front side of the circuit board.
- D) Simply remove the fuse by gently pulling it from the fuse holder.
- E) Replace with a slow blow type fuse*.
- F) Re-assemble in reverse order.



***100, 110 volt models - use 1.0 Amp slow blow fuse.
220/240 volt models - use 0.5 Amp slow blow fuse.**

TROUBLESHOOTING

Indicators of Operation

Operation of the ion indicator lamps:

Turn the unit on and check that the small red/orange lamp is illuminated. The lamp is located inside the unit and is viewed by looking into the unit through the front grill. Illumination of the internal lamp verifies that the frequency type ionizer and needlepoint ionizer are functioning properly. The lamp should stay illuminated as long as the unit is turned on.

Troubleshooting - What to look for first.

1. I have plugged in the unit, turned "ON" the power switch and nothing happens...what's wrong?

- Make sure the electrical outlet is working properly.
- Check the lint screen located at the back to ensure that the safety switch activator clip depresses the safety switch.
- Check to see if the proper fuse is installed and that it is operational.

2. The fan is operating although the unit won't produce any ozone...what's wrong?

- Check the SynAirG™ purification plate(s) for serviceability. If they are cracked or broken, the plate(s) will require replacement. Ensure maintenance procedures required for the SynAirG™ purification plate(s) have been performed according to the "Maintenance" section of this Owner's Manual (page 8). Order new plates from your Dealer.
- Electrical stainless steel contacts are not contacting the screen portion of the SynAirG™ purification plate(s). Inspect the unit for any loose connections.
- Do not attempt to disassemble the unit beyond removing the chassis to replace the fuse (page 9) or to perform routine maintenance (page 8). Doing so may void your warranty.

3. How am I able to know if the Frequency-Type Ionizer is working?

- Current models with the FT Ionizer system have a neon light bulb mounted on the base of the FT antenna. When the power switch to the unit is turned ON, the neon light bulb will illuminate, indicating that the FT Ionizer is functioning normally (see page 9, "Indicators of Operation").

4. The SynAirG™ purification plate(s) are making a noise, have a burning smell, and/or appear to arc or spark. What is the problem?

- SynAirG™ purification plate is most likely cracked. Refer to the answers for question # 2, as it would apply to this question also.

5. What are the most typical application problems?

- **Symptom:** A belief that the proper equipment is placed in the environment and the equipment appears unsuccessful.

Problem: Lack of air movement, improper placement of the unit.

- **Symptom:** Strong odors still remain with the environment after placement.

Problem: Lack of ozone, improper placement of the unit.

- **Symptom:** A strong odor of ozone is present within the environment.

Problem: Too much ozone accumulation within the environment, as a result of improper purifier control setting, and / or lack of air movement.

- **Symptom:** Visual haze of smoke and / or particulate remain within the environment.

Problem: Lack of ionization and / or air movement.

6. Unit does not operate -

- Is the unit plugged in?
- Are you sure the outlet is active?
- Is the unit turned on?
- Is the rear lint screen installed properly to depress the safety switch downward?

7. Air flow is restricted or reduced -

- Is the unit properly placed away from objects that may obstruct air flow?
- Are the filter and fan housing clean?

If your unit fails to operate properly after performing trouble-shooting, contact your EcoQuest Independent Distributor for further assistance, contact EcoQuest at the address located on the front of the manual, or visit www.EcoQuest.com for additional technical support.

WARRANTY INFORMATION

This product is of solid state construction and is warranted by

EcoQuest International
310 T. Elmer Cox Drive
Greeneville, TN 37743

to the original purchaser, depending on model, to be free from defect in materials and workmanship for a limited time.

Length of warranty will vary depending on model.

See warranty card for specific details.

If you have any questions concerning your Living Air system, please see your local EcoQuest Dealer.

If your unit is defective, please contact

EcoQuest International, 310 T. Elmer Cox Drive, Greeneville, TN 37743
or visit www.EcoQuest.com for technical help.

Did you forget to register your Flair?

By registering, you'll activate your warranty, and your privacy is guaranteed.

Just fill out your warranty card and drop it in the mail.

Flair[™]

Electronic Air Purification Systems

EcoQuest International®

310 T. Elmer Cox Drive

Greeneville, TN 37743

(888)664-1812

www.EcoQuest.com